

TC33B

Model TC33B is a low profile, bottom adjust only 3 mm open-frame trimming potentiometer. This trimmer was specifically designed for, but not limited to, LCD applications. Its low profile and bottom adjust features make it suitable for space restricted applications.

Refer to *Figure 1* for an example of a trimmer in an LCD application. The trimmer is connected as a voltage divider and its function is to vary the contrast of the LCD monitor. The bottom adjust feature is necessary for ease of adjustment. LCD monitors have the control circuitry on a thin flexible PCB that is folded up against the screen. The trimmer cannot be adjusted, unless a small via is placed on the bottom of the PCB. *Figure 2* shows the location of the via in the PCB. The via allows the operator to vary the contrast without having to disassemble the LCD monitor.

Other applications involving space limitations in the end product may find the TC33B to be a suitable solution.

Applications:

- Pilot headset
- Door intercom
- Rotary encoders
- Miniature sensors

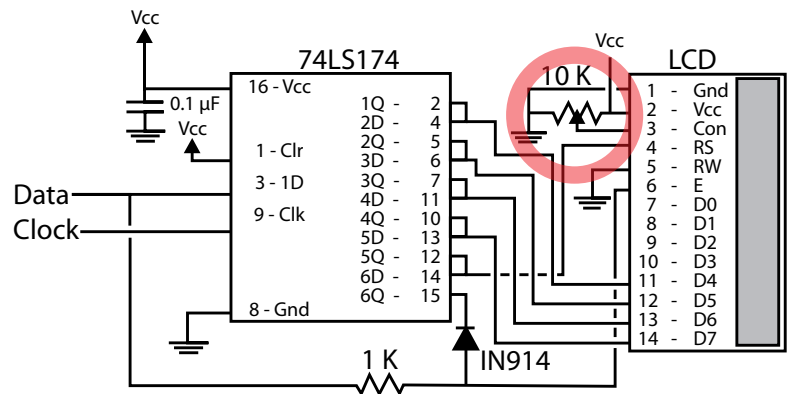


Figure 1: LCD Monitor Schematic

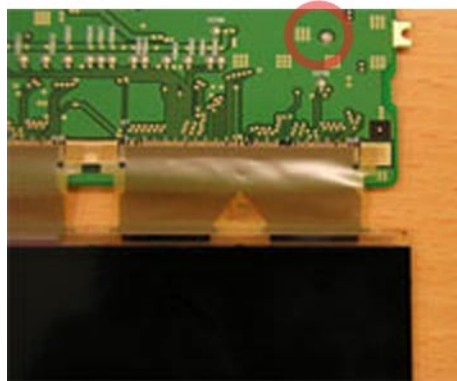


Figure 2: LCD Monitor Printed Circuit Board

BOURNS[®]

Americas: Tel +1-951 781-5500
Fax +1-951 781-5700

Europe: Tel +41-(0)41 768 55 55
Fax +41-(0)41 768 55 10

Asia-Pacific: Tel +886-2 256 241 17
Fax +886-2 256 241 16