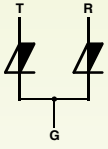
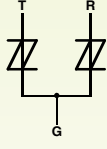





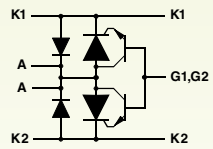
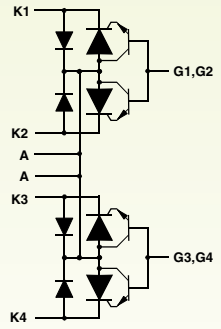
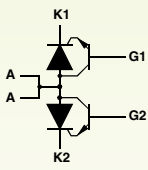
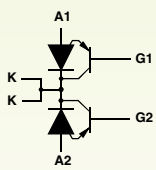
Bourns® TISP® Telecom Overvoltage Protectors

Product Selection Guide

FIXED VOLTAGE

Series				
TISP1xxx Dual Unidirectional	TISP3xxx Dual Bidirectional	TISP4xxx Single Bidirectional	TISP5xxx Single Unidirectional	TISP7xxx Triple Element Bidirectional
Device Symbol				
				
Applications				
<ul style="list-style-type: none"> • SLIC Linecard 	<ul style="list-style-type: none"> • 3-Wire Ground Backed Ringer • Solid State Relay • Surge Bars 	<ul style="list-style-type: none"> • 2-Wire System • ISDN Subset • Modems • Telephones • Fax Machines • xDSL • Set Top Boxes • Surge Bars 	<ul style="list-style-type: none"> • SLIC Linecard • ISDN 	<ul style="list-style-type: none"> • 3-Wire Battery Backed Ringer • ISDN / Interwire

GATED (PROGRAMMABLE)

Series			
TISP6xxxx TISPPBL3 Dual Programmable	TISP6NTP2x Quad Programmable	TISP8200M (Typically used as a complimentary pair) Dual Programmable Unidirectional for Negative Polarity	TISP8201M Dual Programmable Unidirectional for Positive Polarity
Device Symbol			
			
Applications			
<ul style="list-style-type: none"> • SLIC Linecard • Ericsson PBL 3xx SLIC 	<ul style="list-style-type: none"> • Dual SLIC Lines • Cable Modems • ISDN Power Feeds • Smart NT • Set Top Boxes 	<ul style="list-style-type: none"> • POTS Linecard • Dual Supply Ringing SLIC 	

Bourns® TISP® Telecom Overvoltage Protectors

How To Order

TISP 4 290 H 3 BJR

Device Configuration

Fixed Voltage:

- 1 = Dual Unidirectional
- 3 = Dual Bidirectional
- 4 = Single Bidirectional
- 5 = Single Unidirectional
- 7 = Triple Element Bidirectional

Programmable Voltage:

- 6, PBLx = Dual Programmable
- 6NTPx = Quad Programmable
- 8 = Dual Programmable Unidirectional

Protection Voltage $V_{(BO)}$

(Not applicable for programmable devices)

Surge Guarantee 10/1000

- L \cong 30 A
- F \cong 35 A
- M = 50 A
- H = 100 A

Holding Current (I_H)

- 1 = 50 mA
- 3 = 150 mA
- 4 = 225 mA

Delivery Option



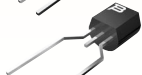
BJR* = SMBJ (DO-214AA)
 AJR* = SMAJ (DO-214AC)



DR* = SOIC



LM, LMR* = DO-92 (Modified TO-92)



LMFR* = DO-92 (Formed Leads Version)



SL = Single In Line



*Leading
by Design*®

The Americas:

TEL +1-909 781-5500
 FAX +1-909 781-5700

bourns.com

* Supplied on tape and reel.