



NEW PRODUCT BRIEF

Bourns® PF-F and PF-M Series Semiconductor Power Fuses

POWRfuse™ High-Power Fuses

INTRODUCTION

Bourns® POWrFuse™ High-Power Fuses are industrial fuse links designed to meet UL 248 and IEC 60269 standards. The new POWrFuse™ **PF-F** and **PF-M** model families are designed to meet UL248-13 semiconductor (aR class) standard to protect sensitive power semiconductor devices against overcurrent events.

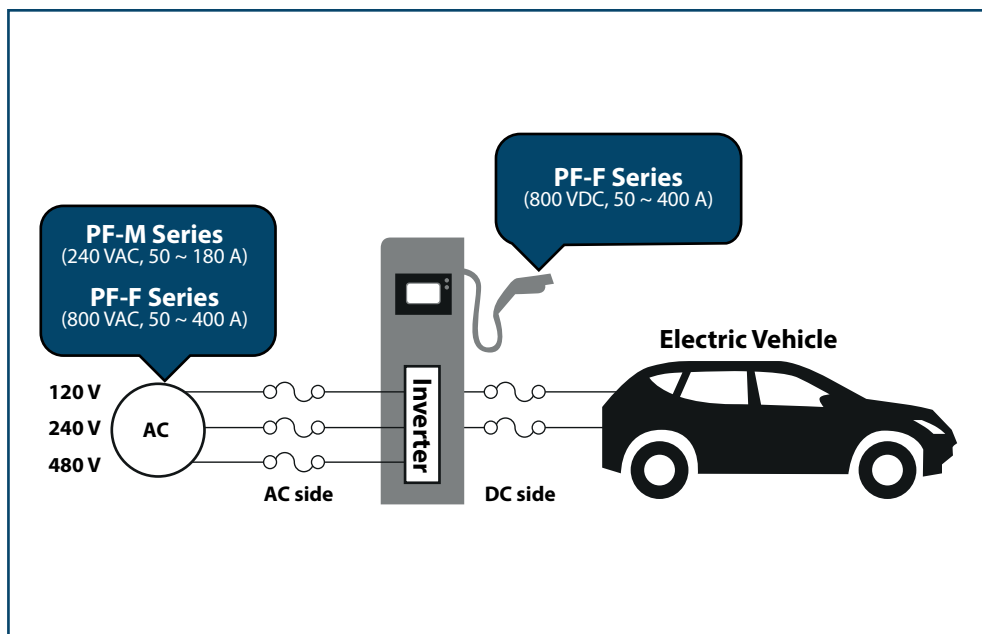
POWRfuse™ PF-F and PF-M models provide two bolt mounting options for a variety of power inverters, converters, rectifiers, AC/DC drives, UPS systems and reduced voltage motor starters.

FEATURES

- Designed for UL 248-13 semiconductor class aR standard
- 50 - 400 A rated current available for PF-F Series
- 50 - 180 A rated current available for PF-M Series
- Low resistance and power loss
- Designed in the traditional round body bolted style package
- Temperature range: -55 to +125 °C
- RoHS compliant*
- Halogen free**

BENEFITS

- Global quality with local services
- The standard compliance and robust interrupting rating ensure safety and quality as well as minimal service calls, minimizing the Total Cost of Ownership (TCO)
- Complete solution with Bourns® high current overvoltage protectors is listed under "MORE INFORMATION"



APPLICATIONS

- Electrical Energy Storage
- Battery pack protection
- Battery Disconnect Unit (BDU)
- Battery modules protection
- EV/HEV charging stations

MORE INFORMATION

- [AC Power SPD: 1210 Series](#)
- [DC Power SPD: 1320 Series](#)
- [Power TVS \(PTVS\) Diodes](#)
- [High Energy MOVs](#)
- [High Current GDTs](#)
- [Custom high current chokes](#)
- [High Current SinglFuse™ SMD Fuses: SF-3812 and SF-2923 Series](#)

HOW TO ORDER

POWRfuse™ Product Designator **PF - x xx - xx**

Series Name _____

Mounting Type _____

B1 = Bolt Mounting/Type 1
B2 = Bolt Mounting/Type 2

Rated Current _____

50-180 = 50-180 A (PF-M Series)
50-400 = 50-400 A (PF-F Series)

PACKAGING SPECIFICATIONS

PF-FB1/FB2 Series (50 ~ 150 A)20 pcs./box
 PF-FB1/FB2 Series (160 ~ 400 A) ... 10 pcs./box
 PF-MB1 Series10 pcs./box

*RoHS Directive 2015/863, Mar 31, 2015 and Annex.
 ** Bourns considers a product to be "halogen free" if (a) the Bromine (Br) content is 900 ppm or less; (b) the Chlorine (Cl) content is 900 ppm or less; and (c) the total Bromine (Br) and Chlorine (Cl) content is 1500 ppm or less.


NEW PRODUCT BRIEF



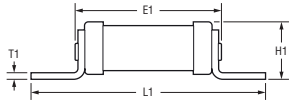
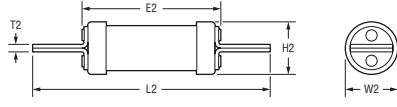
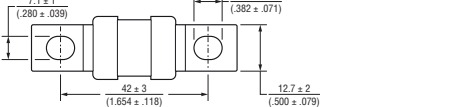
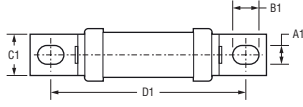
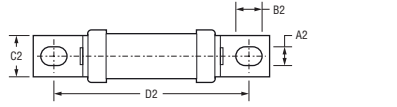
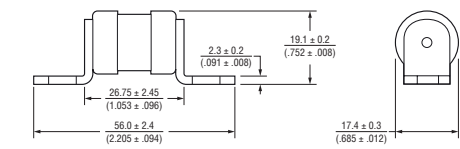
Bourns® PF-F and PF-M Series Semiconductor Power Fuses

POWRfuse™ High-Power Fuses

ELECTRICAL CHARACTERISTICS

Series	Rated Current	Rated Voltage	Interrupting Rating	c  US	Bolt Mounting	
					B1 Type	B2 Type
PF-F	50 – 400 A	800 VAC 800 VDC	100 kA @ 800 VAC 50 kA @ 800 VDC	✓	✓	✓
PF-M	50 – 180 A	240 VAC 150 VDC	160 kA @ 240 VAC 50 kA @ 150 VDC	✓	✓	

PRODUCT DIMENSIONS

PF-F Series										PF-M Series			
Bolt Mounting (B1) Type					Bolt Mounting (B2) Type					Bolt Mounting (B1) Type			
													
													
DIMENSIONS: MM INCHES													
B1 Type	A1	B1	C1	D1	E1	H1	L1	T1	W1				
50 A ~ 150 A	8.8 ± 1.0 (.346 ± .039)	12.4 ± 1.0 (.488 ± .039)	19.1 ± 1.0 (.752 ± .039)	91.6 ± 3.6 (3.606 ± .142)	69.0 ± 3.0 (2.717 ± .118)	27.1 ± 2.0 (1.067 ± .079)	111.6 ± 3.0 (4.394 ± .118)	3.0 ± 0.2 (.118 ± .008)	24.1 ± 2.0 (.949 ± .079)				
160 A ~ 400 A	10.5 ± 1.0 (.413 ± .039)	15.0 ± 1.0 (.591 ± .039)	26.0 ± 1.0 (1.024 ± .039)	95.0 ± 4.5 (3.740 ± .177)	69.2 ± 3.0 (2.744 ± .118)	38.2 ± 2.0 (1.504 ± .079)	117.6 ± 3.0 (4.630 ± .118)	3.0 ± 0.2 (.118 ± .008)	35.2 ± 2.0 (1.386 ± .079)				
B2 Type	A2	B2	C2	D2	E2	H2	L2	T2	W2				
50 A ~ 150 A	8.8 ± 1.0 (.346 ± .039)	12.4 ± 1.0 (.488 ± .039)	19.1 ± 1.0 (.752 ± .039)	91.6 ± 3.6 (3.606 ± .142)	66.0 ± 3.0 (2.598 ± .118)	24.1 ± 2.0 (.949 ± .079)	111.6 ± 3.0 (4.394 ± .118)	3.4 ± 0.2 (.134 ± .008)	24.1 ± 2.0 (.949 ± .079)				
160 A ~ 400 A	10.5 ± 1.0 (.413 ± .039)	15.0 ± 1.0 (.591 ± .039)	26.0 ± 1.0 (1.024 ± .039)	95.0 ± 4.5 (3.740 ± .177)	69.2 ± 3.0 (2.744 ± .118)	35.2 ± 2.0 (1.386 ± .079)	117.6 ± 3.0 (4.630 ± .118)	6.0 ± 0.2 (.236 ± .008)	35.2 ± 2.0 (1.386 ± .079)				

www.bourns.com

Americas: Tel +1-951 781-5500
Email americus@bourns.com

EMEA: Tel +36 88 885 877
Email eurocus@bourns.com



Asia-Pacific: Tel +886-2 256 241 17
Email asiacus@bourns.com

COPYRIGHT © 2022 • BOURNS, INC. • 06/22 • e/PF2209
"Bourns" is a registered trademark of Bourns, Inc. in the U.S. and other countries.
"POWRfuse" is a trademark of Bourns, Inc. in the U.S. and other countries.