



# NEW PRODUCT BRIEF

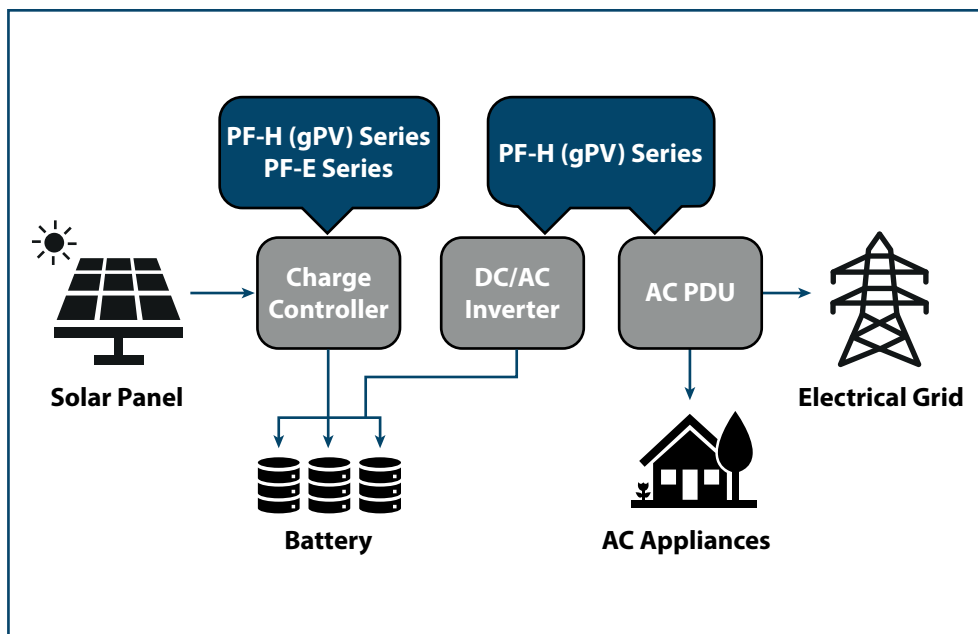
## Bourns® Model PF-E and PF-H (gPV) Series Photovoltaic Power Fuses

### POWRFuse™ High-Power Fuses

#### INTRODUCTION

Bourns® POWrFuse™ High-Power Fuses are industrial fuse links designed to meet UL 248 and IEC 60269 standards. In particular, POWrFuse™ Model PF-E and PF-H (gPV) are designed to meet UL 248-19 and IEC 60269-6 (class gPV) photovoltaic standards to help protect PV systems under extreme ambient temperature, high-cycling, and low-level fault current conditions.

POWRFuse™ Models PF-E and PF-H (gPV) are midget-style fuses (10 mm dia. x 38 mm) and are commonly installed in solar combiner boxes that have a DC interrupting rating of up to 150 kA.



#### FEATURES

- Designed to meet UL 248-19 and IEC 60269-6 (class gPV) photovoltaic standard
- Fast-acting protection under fault current
- Low resistance and power loss
- Up to 150 kA interrupting rating
- Temperature range: -55 to +125 °C
- Ferrule and PCB mounting options
- RoHS compliant\*
- Halogen free\*\*

#### BENEFITS

- Bourns' world-class quality, global strength with localized support
- Both models' compliance with industry standards and their robust interrupting rating help ensure safety and quality as well as minimal service calls, thereby minimizing the Total Cost of Ownership (TCO)
- Offers a complete solution with the added benefit of Bourns® high current rating overvoltage protectors (up to 150 kA). For details, see "MORE INFORMATION"

#### APPLICATIONS

- Solar combiner boxes and inverters
- Battery charge controllers
- Solar string protectors
- Power supplies
- Desktop meters

#### MORE INFORMATION

- [AC Power SPD: 1250 Series](#)
- [DC Power SPD: 1420 Series](#)
- [Power TVS \(PTVS\) Diodes](#)
- [High Energy MOVs](#)
- [High Current GDTs](#)

#### HOW TO ORDER

POWRFuse™ Product Designator **PF - x xx - xx**

Series Name \_\_\_\_\_

Mounting Type \_\_\_\_\_

C1 = Ferrule/Type 1

T1 = PCB Mounting/Type 1

Rated Current \_\_\_\_\_

15-30 = 15 A - 30 A

#### PACKAGING SPECIFICATIONS

PF-EC1/PF-HC1 Series ..... 10 pcs./box

PF-ET1/PF-HT1 Series ..... 50 pcs./tray

\*RoHS Directive 2015/863, Mar 31, 2015 and Annex.

\*\* Bourns considers a product to be "halogen free" if (a) the Bromine (Br) content is 900 ppm or less; (b) the Chlorine (Cl) content is 900 ppm or less; and (c) the total Bromine (Br) and Chlorine (Cl) content is 1500 ppm or less.



# NEW PRODUCT BRIEF

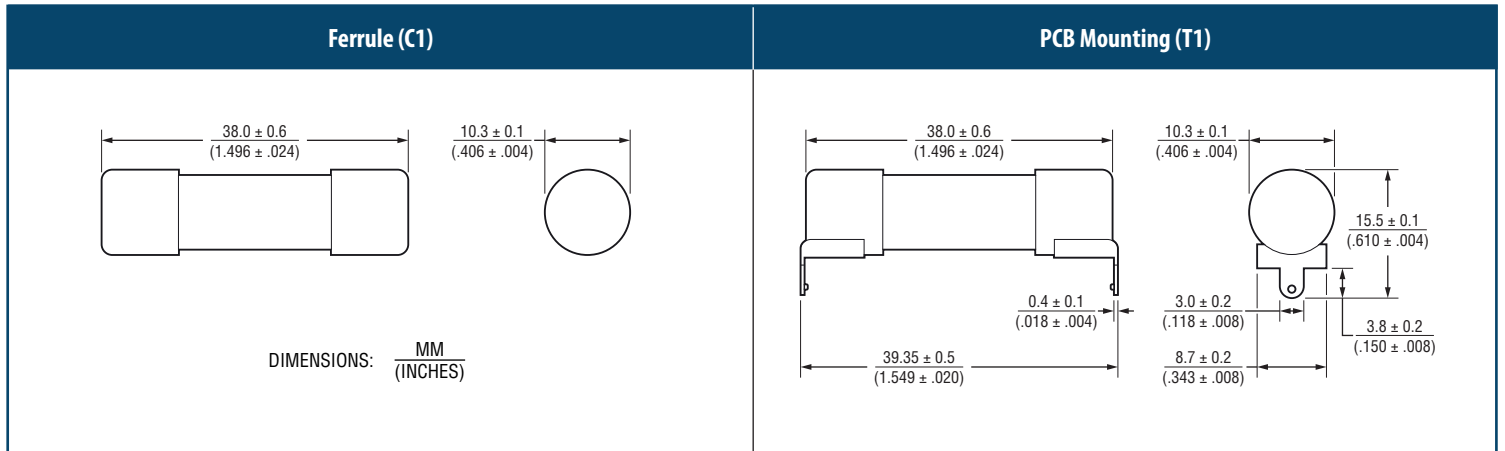
## Bourns® Model PF-E and PF-H (gPV) Series Photovoltaic Power Fuses

POWRfuse™ High-Power Fuses

### ELECTRICAL CHARACTERISTICS

Series	Rated Current	Rated Voltage	Interrupting Rating	UL US LISTED	TÜV Rheinland Product Safety	Mounting Type	
						Ferrule (C1)	PCB Mounting (T1)
PF-E	15 – 30 A	1000 VDC	20 kA @ 1000 VDC	✓		✓	✓
PF-H (gPV)	15 – 30 A	600 VAC 600 VDC	150 kA @ 600 VAC 50 kA @ 600 VDC 10 kA @ 600 VDC	✓	✓	✓	✓

### PRODUCT DIMENSIONS



[www.bourns.com](http://www.bourns.com)

Americas: Tel +1-951 781-5500  
Email [americus@bourns.com](mailto:americus@bourns.com)

EMEA: Tel +36 88 885 877  
Email [eurocus@bourns.com](mailto:eurocus@bourns.com)



Asia-Pacific: Tel +886-2 256 241 17  
Email [asiacus@bourns.com](mailto:asiacus@bourns.com)

COPYRIGHT © 2022 • BOURNS, INC. • 06/22 • e/PF2208  
"Bourns" is a registered trademark of Bourns, Inc. in the U.S. and other countries.  
"POWRfuse" is a trademark of Bourns, Inc. in the U.S. and other countries.