



Product Change Notification

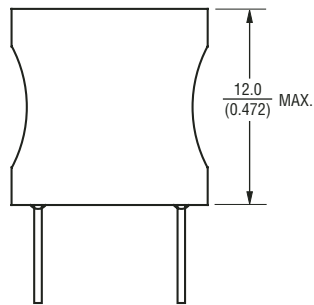
INDUCTIVE COMPONENTS

Bourns Manufacturers Representatives
Corporate Distributor Product Managers
Americas Sales Team
Asia Sales Team
Europe Sales Team
Bourns Internal
Bourns Plant Managers

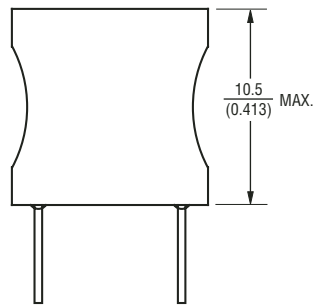
June, 2008

Change in Height of Model 6100 Inductor

Effective October 1, 2008, the maximum mounting height of **Model 6100** will be 12.0 mm (0.472 inch) maximum. The current mounting height is 10.5 mm (0.413 inch) maximum.



Revised Height



Current Height

Electrical performance of all values of Model 6100 will remain the same.