

REMOTE RADIO UNIT (RRU) POWER MODULE

Making Precise Current or Voltage Adjustments

Solution Product



[Model 3224W](#)

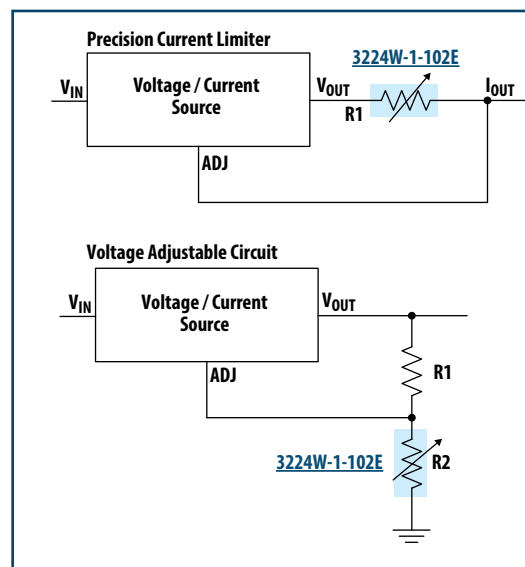
Objective

Remote Radio Unit (RRU) power modules often require precise current and/or voltage adjustments. The purpose of this note is to introduce an efficient and low-cost solution for the adjustment of RRU power modules.

As shown in the below figure, a miniature SMD trimming potentiometer can be added to circuitry to adjust either the voltage output or precision current in RRU power modules.

Features

- Low profile 4 mm SMD trimmer
- Sealed for board processing, consistent with Bourns' guidelines
- Multiturn cermet element
- Wide range of resistance values
- Wiper preset at 50 % ± 10 % of actual total resistance for quick adjustment
- RoHS compliant*
- Halogen free**



*RoHS Directive 2015/863, Mar 31, 2015 and Annex.
**Bourns considers a product to be "halogen free" if (a) the Bromine (Br) content is 900 ppm or less; (b) the Chlorine (Cl) content is 900 ppm or less; and (c) the total Bromine (Br) and Chlorine (Cl) content is 1500 ppm or less. Specifications are subject to change without notice. The device characteristics and parameters in this Bourns Tel Note can and do vary in different applications and actual device performance may vary over time.

Qty	Component Description	Part Number & Data Sheet Link	Distributor Inventory
1	4 mm SMD Trimpot® Trimming Potentiometer	3224W-1-102E	Buy now

BOURNS®

Americas: Tel +1-951-781-5500
Email americus@bourns.com

EMEA: Tel +36 88 885 877
Email eurocus@bourns.com

Asia-Pacific: Tel +886-2 256 241 17
Email asiacus@bourns.com