

USB 2.0

ESD & Overcurrent Protection

Bourns® PortNote® solutions provide protection recommendations for typical port threats.

Solution Products



[MF-FSML075/8](#)



[CG0603MLC-05LE](#)

Objective

Universal Serial Bus (USB) 2.0 ports provide up to 480 Mbps data transfer rates and 5 V power at up to 500 mA. As a hot-pluggable interface, it typically requires protection against ESD and short circuits. This solution provides this protection.

Solution

1 Multifuse® PPTC: [MF-FSML075/8](#)

3 ChipGuard® ESD Suppressors:

[CG0603MLC-05LE](#)

Compliance

USB 2.0

UL60950

IEC 61000-4-2 Level 4 (8 kV / 15 kV)

Alternate Recommendations

Other PortNote® Solutions:

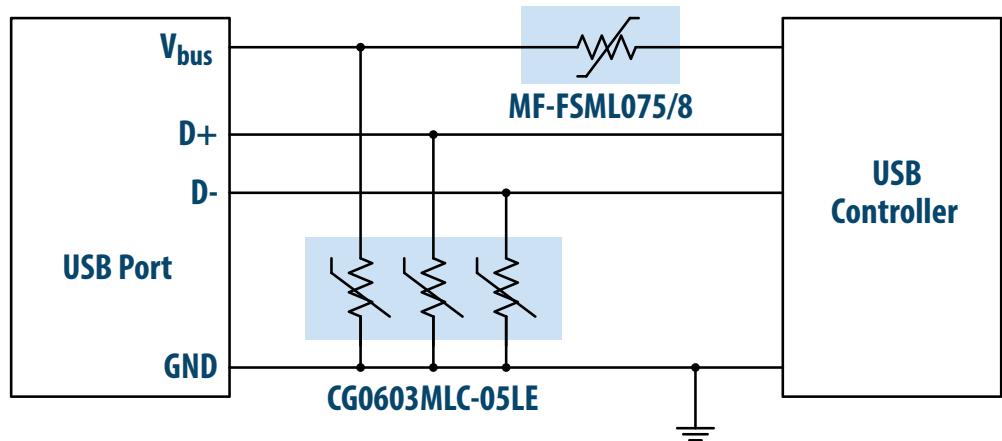
• [USB: USB 3.0 - ESD & Overcurrent Protection](#)

Other Multifuse® PPTC Resettable Fuse Solutions:

• [MF-NSHT075KX](#)

Benefit

This solution provides USB 2.0 ports with compatible protection without impairing the transmission of power or data.



The schematic above illustrates the application protection and does not constitute the complete circuit design. Customers should verify actual device performance in their specific applications.

Request Sample

To order samples, click on the "Request Sample" button.

www.bourns.com

BOURNS[®]

Americas: Tel +1-951-781-5500
Email americus@bourns.com

EMEA: Tel +36 88 885 877
Email eurocus@bourns.com

Asia-Pacific: Tel +886-2 256 241 17
Email asiacus@bourns.com