

T1/E1 Protection

GR-1089-CORE Inter-building

Bourns[®] PortNote[®] solutions provide protection recommendations for typical port threats.

Solution Products



TBU-DT085-200-WH



TISP4015L1BJR-S



2020-42T-C2FLF



SF-3812TM125T-2

Objective

T1/E1 ports are data communication ports used to communicate over twisted copper pairs. This solution provides protection against surge and power contact threats.

Solution

2 TBU[®] High-Speed Protectors:

TBU-DT085-200-WH

2 Thyristor Surge Protectors:

TISP4015L1BJR-S

2 GDTs: 2020-42T-C2FLF

4 SingIFuse[™] Telefuse[™]:

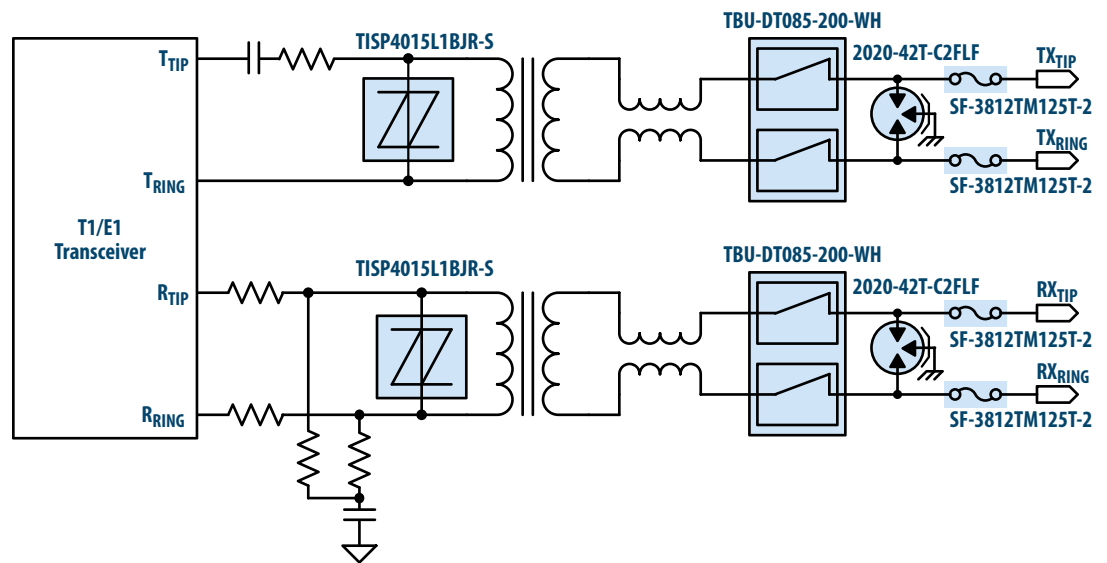
SF-3812TM125T-2

Compliance

GR-1089-CORE, Section 4, Port Types 1, 3, 5

Benefit

This solution provides protection without impairing the signal.



The schematic above illustrates the application protection and does not constitute the complete circuit design. Customers should verify actual device performance in their specific applications.

Request Sample



To order samples, click on the "Request Sample" button online.

www.bourns.com

BOURNS[®]

Americas: Tel +1-951 781-5500
Email americus@bourns.com

EMEA: Tel +36 88 520 390
Email eurocus@bourns.com

Asia-Pacific: Tel +886-2 256 241 17
Email asiacus@bourns.com