

# SLIC Protection

## GR-1089-CORE Intra-building Solution, Negative Voltage Tracking

Bourns® PortNote® solutions provide protection recommendations for typical port threats.

### Solution Products



TBU-PL060-200-WH



MOV-10D201K

### Objective

The SLIC (Subscriber Line Interface Circuit) provides all the BORSCHT functions such as battery, ringing, supervision between the codec and telephone hand set. This PortNote® solution protects negative battery voltage solutions against surge and power contact threats.

### Solution

1 TBU® High-Speed Protector:  
TBU-PL060-200-WH  
2 MOV Devices: MOV-10D201K

### Compliance

GR-1089-CORE intra-building, issue 5, port type 4.

- 120 V<sub>rms</sub>, 25 A, 900 seconds withstand.
- 130 V<sub>rms</sub> maximum AC withstand.
- Increased surge level to 5 kV, 500 A 2/10 μs.

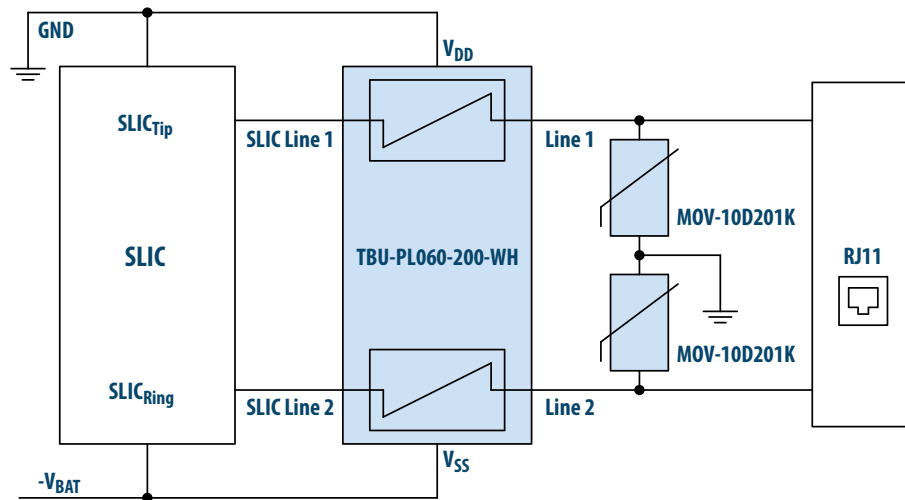
### Alternate Recommendations

Other PortNote® Solutions:

- SLIC Protection: ITU-T Enhanced 6kV Solution, Negative Voltage tracking
- SLIC Protection: ITU-T 4kV Solution, Negative Voltage tracking

### Benefit

This solution provides a high level of protection in a small PCB area.



The schematic above illustrates the application protection and does not constitute the complete circuit design. Customers should verify actual device performance in their specific applications.

Request Sample 

To order samples, click on the "Request Sample" button.

[www.bourns.com](http://www.bourns.com)

**BOURNS**<sup>®</sup>

Americas: Tel +1-951 781-5500  
Email [americus@bourns.com](mailto:americus@bourns.com)

EMEA: Tel +36 88 520 390  
Email [eurocus@bourns.com](mailto:eurocus@bourns.com)

Asia-Pacific: Tel +886-2 256 241 17  
Email [asiacus@bourns.com](mailto:asiacus@bourns.com)