

LVDS

Output Port - Surge Protection

Bourns® PortNote® solutions provide protection recommendations for typical port threats.

Solution Products



TBU-CA085-200-WH



2031-42T-SM-RPLF



CDSOT23-S2004

Objective

Low voltage differential signaling (LVDS) utilizes a 1.25 V electrical signal. This solution protects LVDS which is exposed to high level surges.

Solution

- 2 TBU® High-Speed Protectors:
TBU-CA085-200-WH
- 2 GDTs: 2031-42T-SM-RPLF
- 2 Switching Diode Arrays: CDSOT23-S2004

Compliance

IEC 61000-4-5; Class 4 and 5; 4000 V / 95 A

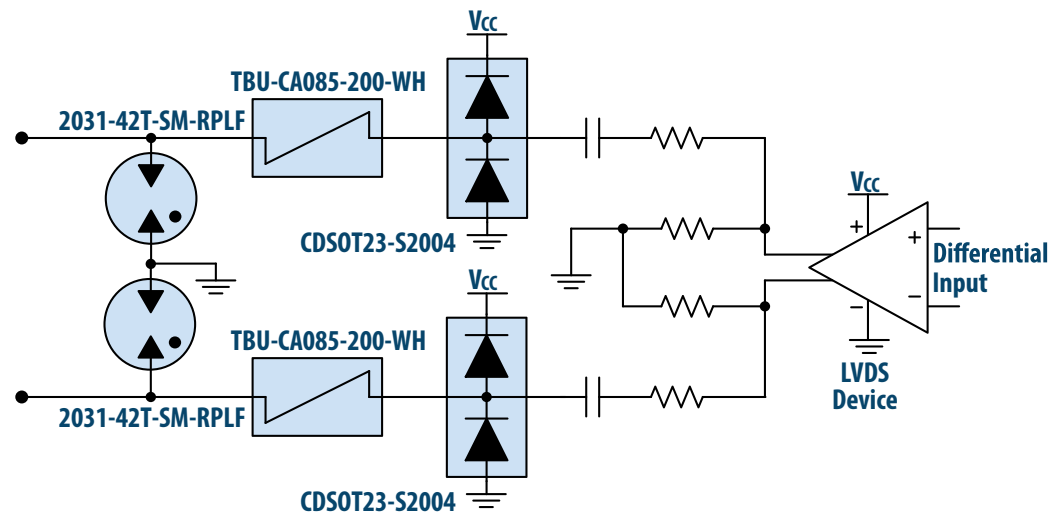
Alternate Recommendations

Other PortNote® Solutions:

- [LVDS: Input Port - Surge Protection](#)
- Specific solutions are also available for lower levels of IEC 61000-4-5 as well as the ITU-T and GR-1089-CORE documents.

Benefit

This solution provides line output protection without impairing the LVDS signal up to 3 GHz.



The schematic above illustrates the application protection and does not constitute the complete circuit design. Customers should verify actual device performance in their specific applications.

Request Sample



To order samples, click on the "Request Sample" button.

www.bourns.com

BOURNS[®]

Americas: Tel +1-951 781-5500
Email americus@bourns.com

EMEA: Tel +36 88 520 390
Email eurocus@bourns.com

Asia-Pacific: Tel +886-2 256 241 17
Email asiacus@bourns.com