

DC POWER SUPPLY PORT

Mobile Broadband DC Power Supply Protection

Solution Product



1320-S-48

Objective

Base Transceiver Station (BTS) equipment is normally powered by 48 V DC. The DC ports need to be protected, especially in harsh environments. The Bourns[®] Model 1320 Series are DC power Surge Protective Devices (SPDs) designed to protect power systems from damage due to lightning, transients and power surges.

Solution

DC Surge Protective Device:

- 1320-S-48

Compliance*

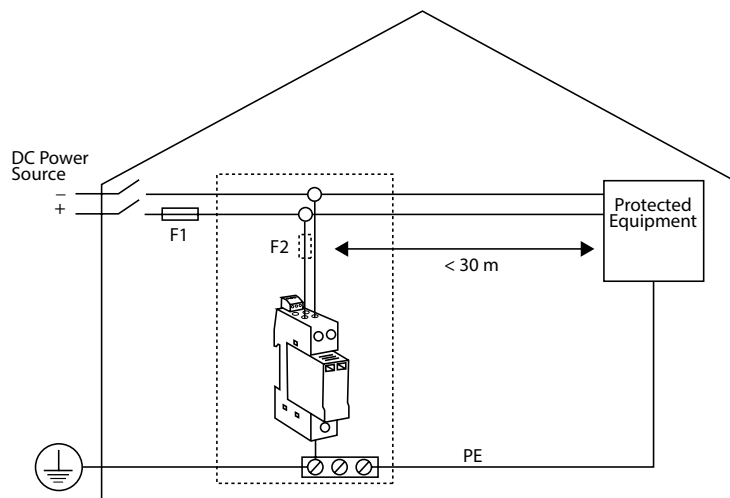
UL1449 Type 4, Type 2 Location

Alternate Recommendations

Model 1320-S-24 for 24 V DC systems

Features & Benefits

- 30 kA, 8/20 μ s surge capability
- Remote signalling
- DIN Rail compatible
- RoHS compliant**



**The Bourns[®] Model 1320-S-48 Surge Protective Devices are listed under UL1449 as Type 4 for use in Type 2 locations.*

The schematic shown here illustrates the application protection and does not constitute the complete circuit design. Customers should verify actual device performance in their specific applications.

**RoHS Directive 2002/95/EC Jan. 27, 2003 including annex and RoHS Recast 2011/65/EU June 8, 2011.