

Solution Products



CDSOT236-0504C



MF-SMDF050-2



SM51108EL

Design Kit



PN-DESIGNKIT-35

Objective

10/100 Base-T Power over Ethernet (PoE) interfaces combine data and 48 V DC to provide remote power to a Powered Device (PD). This solution provides ESD and overcurrent protection for the Powered-Sourcing Equipment (PSE) unit.

Solution

- 1 TVS Diode Array: CDSOT236-0504C
- 1 Multifuse[®] PPTC Resetttable Fuse: MF-SMDF050-2
- 1 Transformer: SM51108EL

Compliance

IEEE 802.3af and IEEE 802.11af
IEC 61000-4-2 Level 4 (8 kV / 15 kV)

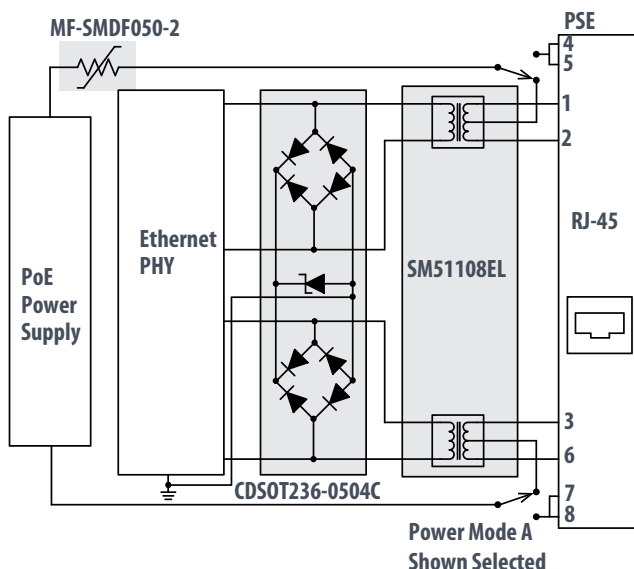
Alternate Recommendations

Other PortNote[®] Solutions:

- Ethernet - ESD Protection
 - Ethernet - Power Contact and Surge Protection
 - Ethernet - 10/100 Base-T Power over Ethernet (PoE) PD Unit Protection
- Contact Bourns for PoE+ or Gbit PoE port solutions.*

Benefit

This solution provides ESD and overcurrent protection for 10/100 Base-T PoE PSE devices without impairing the Ethernet signal.



The schematic above illustrates the application protection and does not constitute the complete circuit design. Customers should verify actual device performance in their specific applications.