



Features

- Cabinet can be pole or wall mounted for increased mounting flexibility
- All-weather NEMA 3R design steel cabinet is UL 50E tested for durability, ensuring long service life
- Conformal coating on all circuit boards protects against moisture
- Wide temperature AGM batteries ensure optimum performance and long service life
- Temperature-compensated three-stage charger improves reliability and performance
- Heavy-duty surge protection and noise filtering assures quality output
- Wide AC input voltage window lengthens battery life


U02 DC Series Outdoor UPS (AC/DC)

The Bourns® U02 DC Series Outdoor Uninterruptible Power Supply (UPS) is ideal for DC powered applications needing back-up power in extreme environmental conditions. This Outdoor DC UPS incorporates wide temperature AGM batteries and is housed in a weather-protected enclosure tested to UL 50E. It provides a wide input voltage range(100 - 140 V), heavy-duty surge protection and noise filtering.

The outdoor DC UPS provides a well-regulated DC output and uses a three-stage, temperature compensated battery charger for optimal battery life.

This heavy-duty outdoor UPS system is designed for outdoor telecommunications infrastructures, perimeter surveillance cameras (CCTV), wireless access points and industrial Remote Terminal Units (RTUs).

Characteristics

| Specification | Model U02120-006-12-A | Model U02120-010-24-B | Model U02120-015-12-B | Model U02120-015-24-B |
|--|--|--------------------------|--------------------------|--------------------------|
| UPS Topology | AC to DC rectifier, battery charger and valve-regulated AGM batteries | | | |
| INPUT | | | | |
| Nominal Voltage | 120 V | | | |
| Operating Voltage | 100 - 140 V | | | |
| Input Current | 3.5 A | 4.5 A | 6.0 A | 6.0 A |
| Operating Frequency | 57 - 63 Hz | | | |
| AC Connections | Holes for 1/2 inch conduit connectors. Euro style wiring terminals for AWG 16 | | | |
| Surge Voltage Withstand and Let-Through Performance | With ANSI/IEEE 6 kV, 1.2 x 50 μ s / 3 kA, 8 x 20 μ s; V out + to V out - <450 V, V out + or V out - to ground < 300 V | | | |
| OUTPUT | | | | |
| Nominal Voltage | 60 W 12 VDC | 100 W 24 VDC | 150 W 12 VDC | 150 W 24 VDC |
| Operating Voltage | 10 - 14 VDC | 20 - 28 VDC | 10 - 14 VDC | 20 - 28 VDC |
| Output Current | 5.22 A | 4.26 A | 13.04 A | 5.22 A |
| Efficiency: Line/Back-up | 84 / 96 % | 84 / 98 % | 84 / 95.5 % | 84 / 98 % |
| Power On/Off Switch | On/off rocker style power switch | | | |
| Transfer Time to Back-up | 0 ms | | | |
| DC Connections | Holes for 1/2 inch conduit connectors. Euro style wiring terminals for AWG 16 | | | |
| BATTERY | | | | |
| Battery Type: AGM | 12 VDC 12 Ah | 12 VDC 7 Ah x 2 | | |
| Recharge Time to 90 % | 2 hrs. 45 min. | 4 hrs. | 2 hrs. 45 min. | 2 hrs. 30 min. |
| Battery Back-up Time | 93 min. | 57 min. | 37 min. | 37 min. |
| PHYSICAL | | | | |
| Dimensions | 318 mm (12.5 ") wide x 305 mm (12 ") high x 165 mm (6.5 ") deep | | | |
| Steel Cabinet | All weather NEMA 3R design, UL 50E rain tested, padlockable enclosure | | | |
| Weight (lbs. / kg. w/Batteries) | 30 / 13.6 | 32 / 14.5 | | |
| Mounting Options | Wall or optional bracket for pole (mounting bands not included) | | | |
| Latch | Unit doors are attached with Phillips Head #2 Pan head screws | | | |
| SAFETY STANDARDS | | | | |
| cETLus  | ANSI/UL 60950-1 CAN/CSA C22.2: No. 60950-1-07 Clause; ANSI/UL 1778 CAN/CSAC22.2: No. 107.3-05 Clause; ANSI/UL 50E CAN/CSA C22.2: No. 94-2-07 Clause) | | | |
| ENVIRONMENTAL | | | | |
| Operating Temperature | +14 to +131 °F / -10 to +55 °C -40 to +131 °F / -40 to +55 °C with BH5 optional battery heater | | | |
| Maximum Operating Temperature | +149 °F / +65 °C | | | |

Specifications are subject to change without notice.

The device characteristics and parameters in this data sheet can and do vary in different applications and actual device performance may vary over time. Users should verify actual device performance in their specific applications.

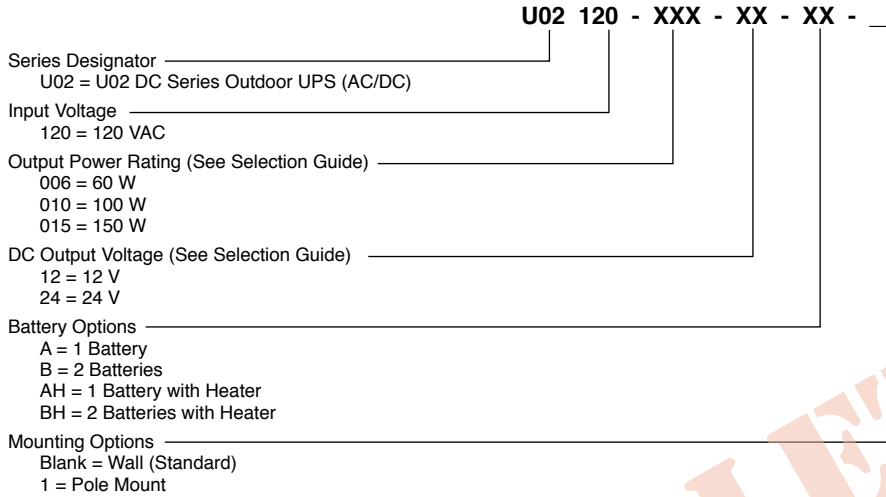
Applications

- Perimeter surveillance cameras (CCTV)
- Wireless access points
- Industrial Remote Terminal Units (RTUs)

U02 DC Series Outdoor UPS (AC/DC)

BOURNS®

How to Order



Selection Guides

How to Select Correct Output Power Rating and DC Output Voltage

| DC Output Voltage | Output Power Rating | | |
|-------------------|---------------------|-------|-------|
| | 60 W | 100 W | 150 W |
| 24 V | N/A | X | X |
| 12 V | X | N/A | X |

How to Select Battery Option w/Heater

| DC Output Voltage | Output Power Rating | | |
|-------------------|---------------------|-------|-------|
| | 60 W | 100 W | 150 W |
| 24 V | N/A | BH | BH |
| 12 V | AH | N/A | BH |

Product Images



Front View



Inside Front Panel



Side View

Mounting Options



Wall Mount



Rear View

Specifications are subject to change without notice.

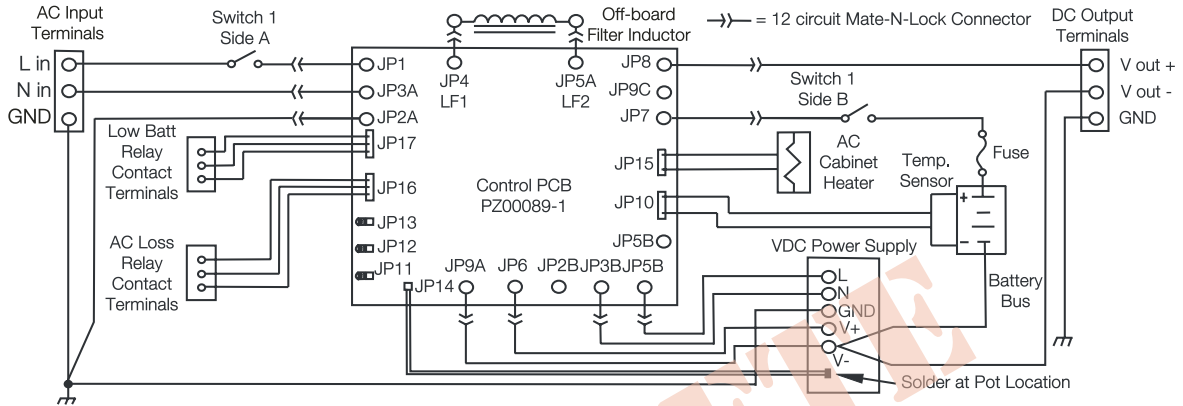
The device characteristics and parameters in this data sheet can and do vary in different applications and actual device performance may vary over time.

Users should verify actual device performance in their specific applications.

U02 DC Series Outdoor UPS (AC/DC)

BOURNS®

DC Series Outdoor UPS (AC/DC) System Wiring Diagram



BOURNS®

Asia-Pacific: Tel: +886-2 2562-4117 • Fax: +886-2 2562-4116

EMEA: Tel: +36 88 520 390 • Fax: +36 88 520 211

The Americas: Tel: +1-951 781-5500 • Fax: +1-951 781-5700

www.bourns.com

REV. B 03/16

Specifications are subject to change without notice.

The device characteristics and parameters in this data sheet can and do vary in different applications and actual device performance may vary over time. Users should verify actual device performance in their specific applications.