



Features

- Recommended for reflow processing
- Rotor design compatible with pick and place and automatic adjustment equipment
- 2 mm size meets EIA/EIAJ standard trimmer footprint

■ RoHS compliant* - see [processing information](#) on lead free surface mount trimmers

TC22 - 2 mm SMD Trimming Potentiometer

Electrical Characteristics

Standard Resistance Range100 ohms to 1 megohm (see standard resistance table)
 Resistance Tolerance±25 % std.
 Absolute Minimum Resistance
 ≤ 1 K Ohms20 ohms max.
 > 1 K Ohms2 % max. of TR
 Contact Resistance Variation ..5 % max.
 Resolution.....Infinite
 Adjustment Angle.....260 ° ±20 °

Environmental Characteristics

Power Rating (50 VDC max.)
 70 °C0.1 watt
 Temperature Range-40 °C to +100 °C
 Temperature Coefficient±250 ppm/°C
 Humidity95 % RH
 TRS max.±5 %
 Load Life
@ 70 °C rated power 1000 hours
 TRS ±5 %
 Rotational Cycling.....20 cycles
 TRS ± 5 %

Physical Characteristics

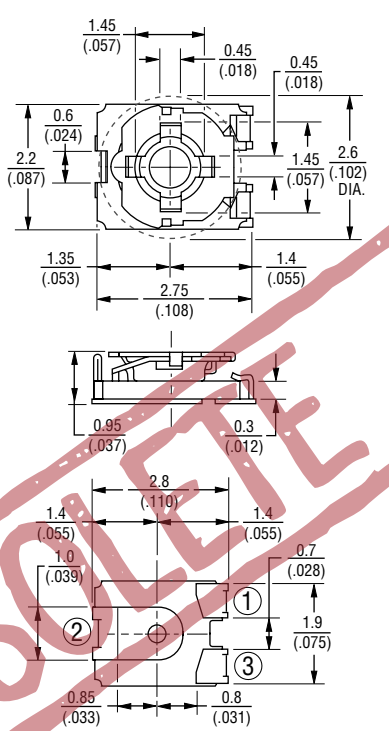
Torque0.49-7.84 mN-m max.
 Mechanical Angle.....270 ° ±20 °
 Marking.....Part marking code
 Standard Packaging ...3000 pcs./7 " reel

How To Order

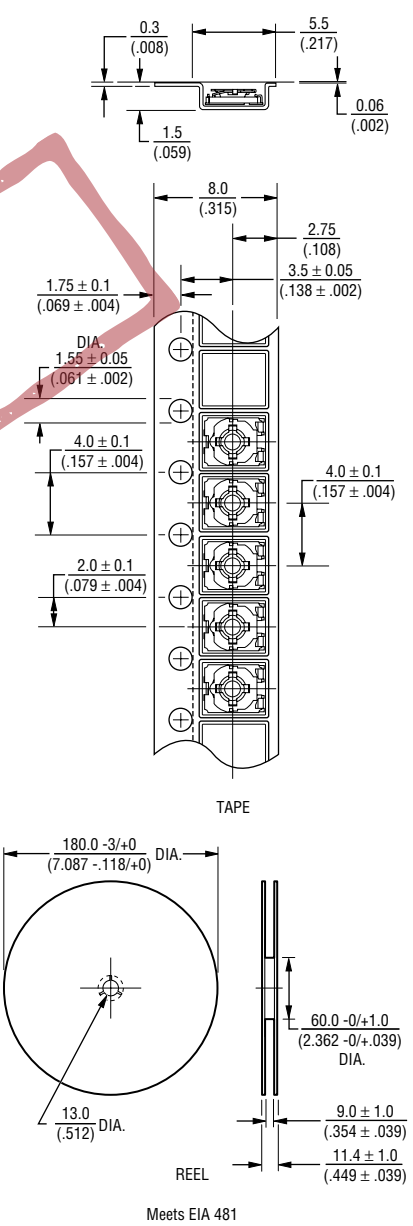
TC22 X - 2 - 103 E

Model _____
 Style _____
 Standard Product Indicator
 -2 = Cross Slot Rotor
 Resistance Code _____
 Embossed Tape Designator _____
 E = 3000 pcs./7 " Reel (Standard)

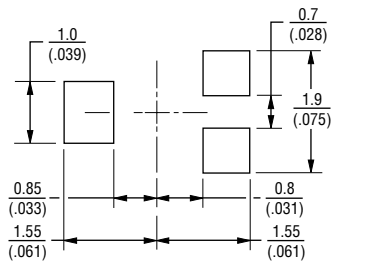
Product Dimensions



Packaging Specifications



Recommended Land Pattern



Standard Resistance Table

Resistance (Ohms)	Resistance Code
100	101
200	201
500	501
1,000	102
2,000	202
5,000	502
10,000	103
20,000	203
50,000	503
100,000	104
200,000	204
500,000	504
1,000,000	105

Popular distribution resistance values listed in boldface.

REV. 09/04

*RoHS Directive 2002/95/EC Jan 27 2003 including Annex. Specifications are subject to change without notice. Customers should verify actual device performance in their specific applications.

DIMENSIONS ARE: $\frac{\text{MM}}{\text{(INCHES)}}$

