

### Features

- High temperature plastic rotor
- Recommended for reflow processing
- Rotor design compatible with pick and place and automatic adjustment equipment
- Supplied in 8 mm embossed tape, compatible with automatic assembly equipment



Model TC03 is currently available, although not recommended for new designs. Models **TC33** & **TC43** are preferred.

- Cermet element
- RoHS compliant\* - see [processing information](#) on lead free surface mount trimmers

## TC03 - Trimming Potentiometer

### Electrical Characteristics

Standard Resistance Range .....100 to 1 megohm  
 (see standard resistance table)  
 Resistance Tolerance .....±25 % std.  
 Absolute Minimum Resistance  
 ≤ 1K Ohms .....20 ohms max.  
 >1K Ohms .....2 % max. of TR  
 Contact Resistance Variation  
 .....5 % max.  
 Resolution .....Infinite  
 Adjustment Angle .....270 ° ±20 °

### Environmental Characteristics

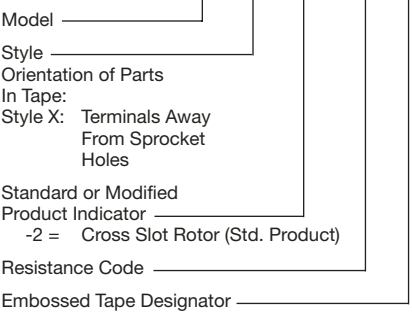
Power Rating (50 VDC max.)  
 70 °C .....0.10 watt  
 Temperature Range .....-40 °C to +85 °C  
 Temperature Coefficient .....±250 ppm/°C  
 Humidity .....95 %RH  
 500 hours  
 TRS max. ....±5 %  
 Load Life  
 .....@ 70 °C rated power 500 hours  
 TRS ±5 %  
 Rotational Cycling .....20 turns  
 TRS ±15 %

### Physical Characteristics

Torque .....20-200 g-cm max.  
 Mechanical Angle .....Continuous  
 Marking .....Part marking code  
 Standard Packaging  
 .....2000 pcs./7" reel  
 Adjustment Tool .....H-90

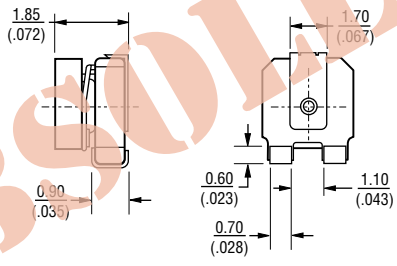
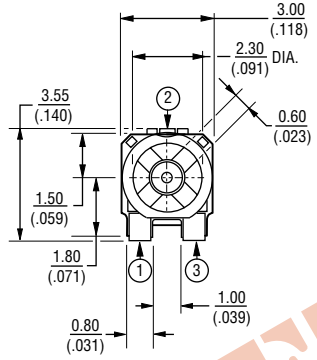
### How To Order

**TC03 X - 2 - 103 E**



Consult factory for other available options.

### TC03X-2 3mm Open Frame for Reflow Soldering 3-Terminal

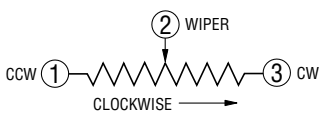
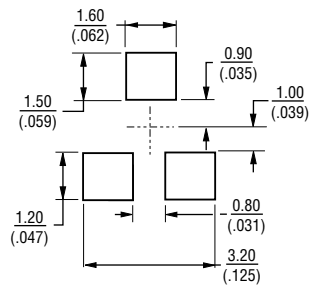


### Standard Resistance Table

Resistance (Ohms)	Part Marking Code	Resistance Code
100	12	101
200	22	201
500	52	501
<b>1,000</b>	<b>13</b>	<b>102</b>
<b>2,000</b>	<b>23</b>	<b>202</b>
<b>5,000</b>	<b>53</b>	<b>502</b>
<b>10,000</b>	<b>14</b>	<b>103</b>
<b>20,000</b>	<b>24</b>	<b>203</b>
50,000	54	503
100,000	15	104
200,000	25	204
500,000	55	504
1,000,000	16	105

Popular distribution resistance values listed in boldface. Special resistances available.

### SUGGESTED PWB LAYOUT



DIMENSIONS ARE:  $\frac{\text{MM}}{\text{(INCHES)}}$