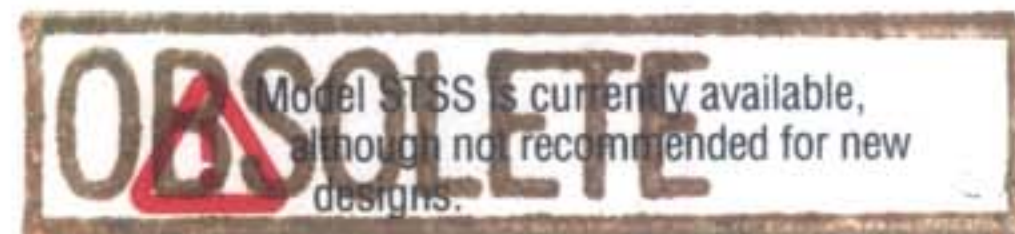




### Features

- Available sharp click feel with a positive tactile feedback
- Ultra-miniature and lightweight structure suitable for high density mounting
- Economical with high reliability
- RoHS compliant\*



- Insert molding in the contact with special treatment prevents flux buildup during soldering and permits autodipping

## STSS SMD 4 mm Sealed Tact Switch

### Electrical Characteristics

Electrical Life .....100,000 cycles  
 Rating .....DC 12 V 50 mA  
 Contact Resistance .....100 milliohms max.  
 Insulation Resistance .....100 megohms, DC 100 V min.  
 Dielectric Strength .....100 V AC for 1 minute  
 Contact Arrangement.....1 pole 1 position

### Environmental Characteristics

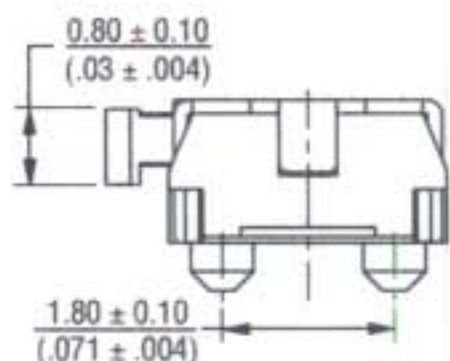
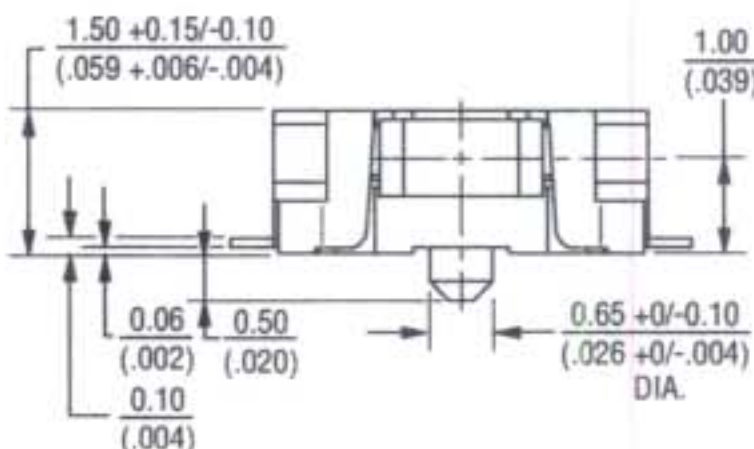
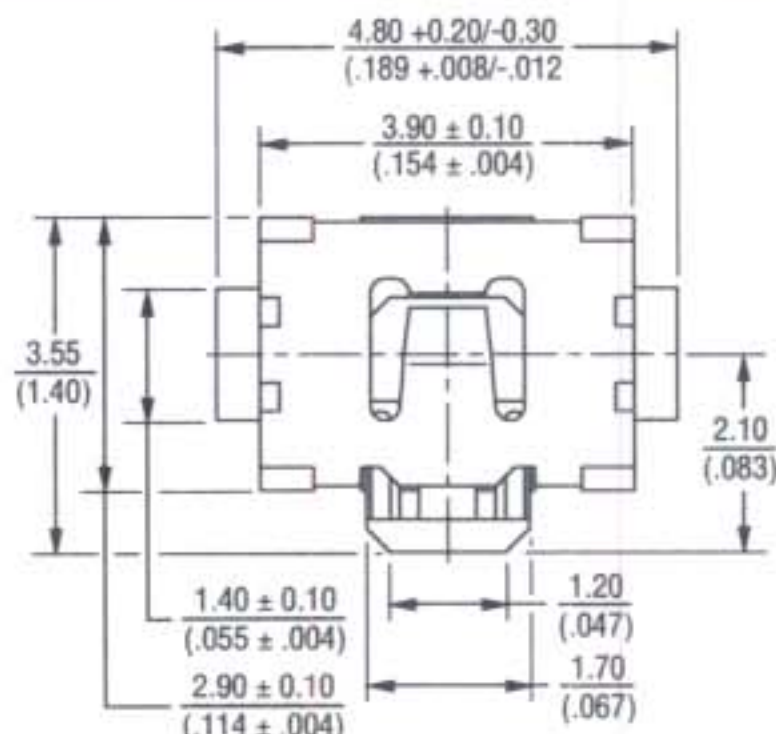
Operation Force.....220 g ±65 g  
 Stroke .....0.2 + 0.10/- 0.05 mm  
 Operating Temperature .....-25 °C to +70 °C  
 Storage Temperature .....-30 °C to +80 °C

Vibration Test.....Mil-STD-202F, Method 201A  
 Frequency .....10-55-10 Hz/1 minute  
 Directions .....X,Y,Z, three mutually perpendicular directions  
 Time .....2 hours each direction  
 Shock Test .....MIL-STD-202F, Method 213B, Condition A  
 Gravity .....50 G (peak value), 11 msec  
 Direction & Times.....6 sides and 3 times in each direction

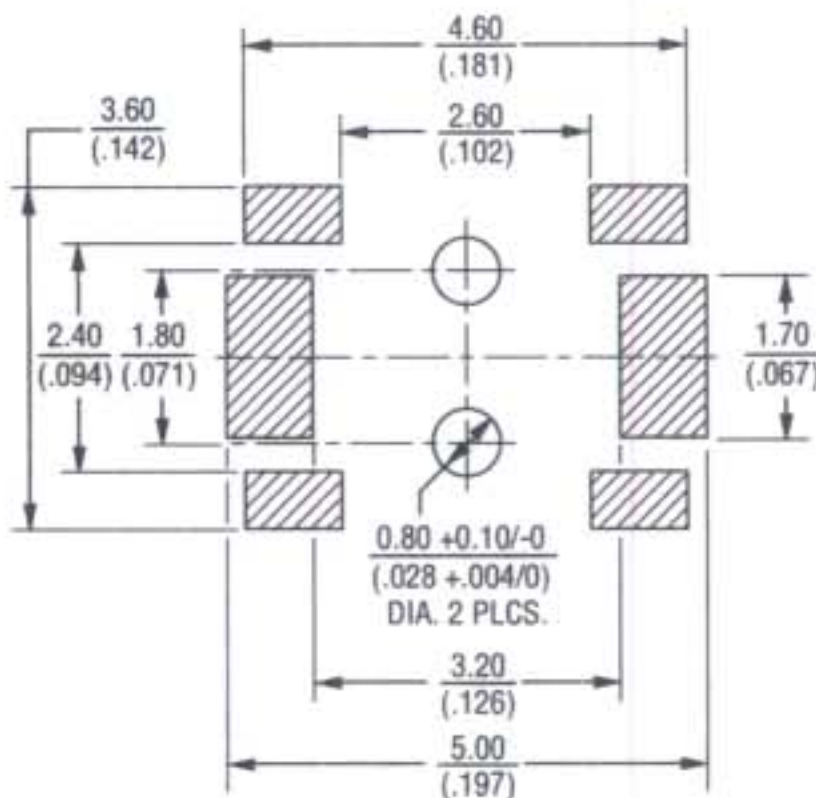
### Physical Characteristics

Cover Materials .....Stainless Steel  
 Base Materials .....LCP high temp. thermoplastic, white  
 Actuator Materials .....LCP high temp. thermoplastic, black  
 Contact Disc Materials .....Stainless with silver cladding  
 Terminal Materials .....Brass with silver plated  
 Tape .....Teflon  
 Hand Soldering Process .....Use a soldering iron of 30 watts, controlled at 320 °C (608 °F) for approximately 2 seconds while applying solder  
 Reflow Soldering Process .....When applying reflow soldering, the peak temperature or the reflow oven should be set to 240 °C  
 Packaging .....3,500 pieces per reel

### Product Dimensions



### Recommended PCB Layout



DIMENSIONS ARE:  $\frac{\text{MM}}{\text{(INCHES)}}$

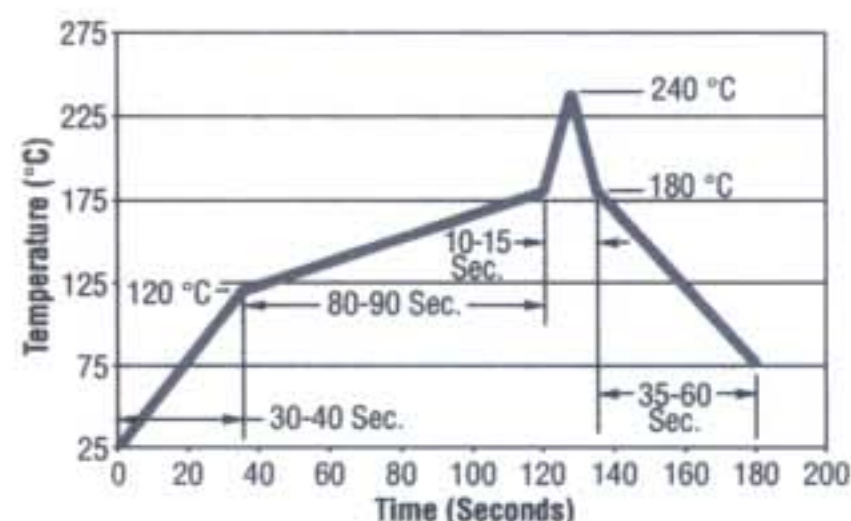
### How to Order

Model **STSS - 32 - TR**  
 Terminal \_\_\_\_\_  
 Embossed Tape \_\_\_\_\_  
 TR = 3500 Pcs./180 mm Reel

### Circuit Diagram



### Reflow Soldering Profile



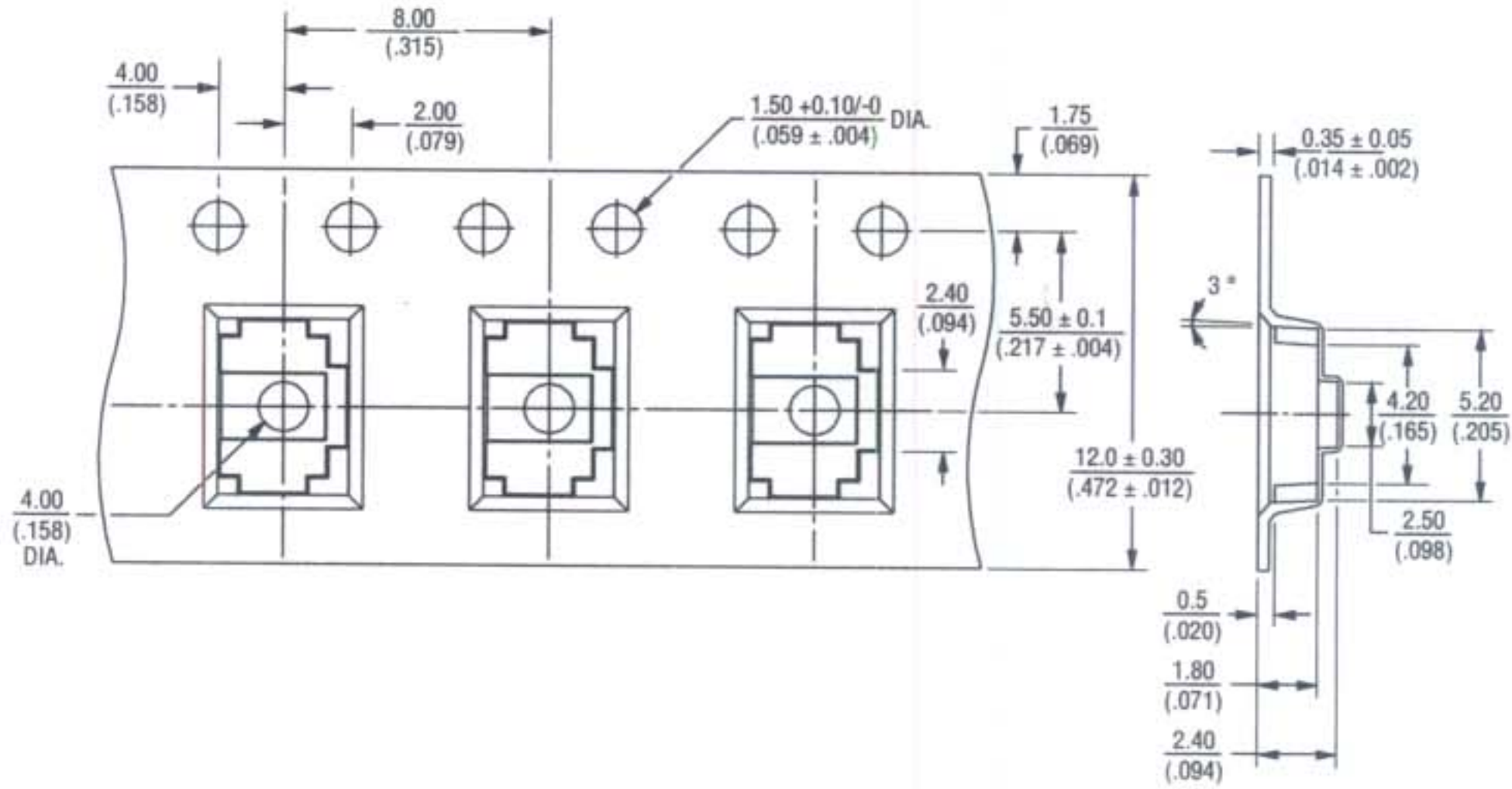
\*RoHS Directive 2002/95/EC Jan 27 2003 including Annex. Specifications are subject to change without notice. Customers should verify actual device performance in their specific applications.

**OBSOLETE**

**STSS SMD 4 mm Sealed Tact Switch**

**BOURNS®**

**Packaging Dimensions**



*Reliable Electronic Solutions*

**Asia-Pacific:**  
TEL +886-2 25624117  
FAX +886-2 25624116

**Europe:**  
TEL +41-41 7685555  
FAX +41-41 7685510

**The Americas:**  
TEL +1-951 781-5500  
FAX +1-951 781-5700

[www.bourns.com](http://www.bourns.com)