



### Features

- Super-thin 4.5 mm square SMD
- Two different operating forces
- 0.55 mm height without knob
- Compatible with surface mount reflow soldering processes
- RoHS compliant\*

Model STJN-4 is currently available, although not recommended for new designs.

**OBSOLETE**

## STJN-4 SMD Super-Thin Tact Switch

### Electrical Characteristics

Max. Power Rating 12 VDC max., 20 mA  
 Contact Resistance .....100 milliohms max.  
 Insulation Resistance .....50 megohms min., 100 VDC  
 Dielectric Strength .....AC 100 V for 1 minute  
 Bounce  
 On .....3 ms max.  
 Off .....10 ms max.  
 Circuit .....N.O. SPST

### Mechanical Characteristics

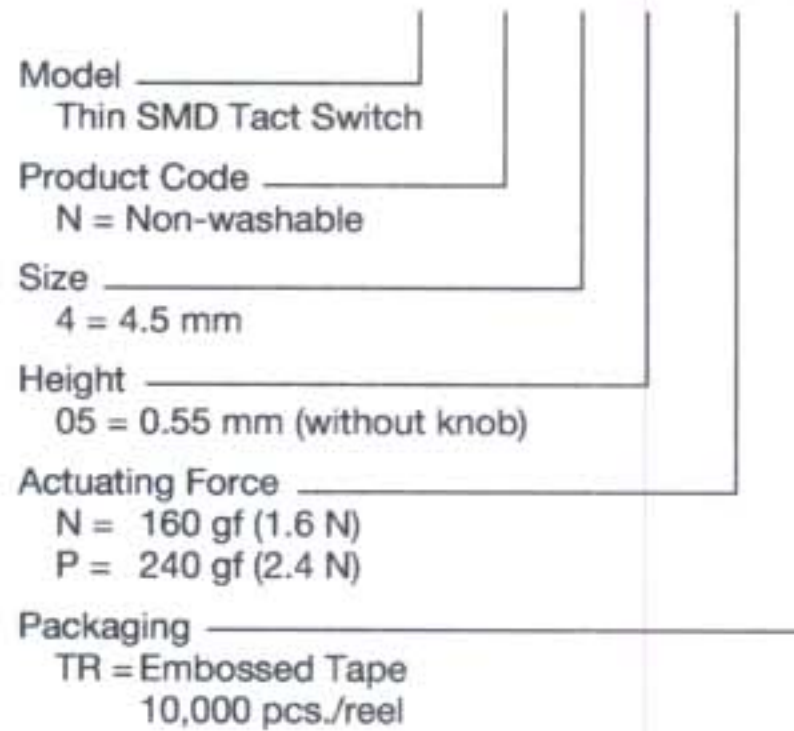
Mechanical Life .....50,000 cycles min.  
 Actuation Force  
 .....160 gf  $\pm$ 50 gf (1.6 N  $\pm$ 0.5 N)  
 .....240 gf  $\pm$ 60 gf (2.4 N  $\pm$ 0.6 N)  
 Stroke .....0.2 mm  $\pm$ 0.1 mm

### General Characteristics

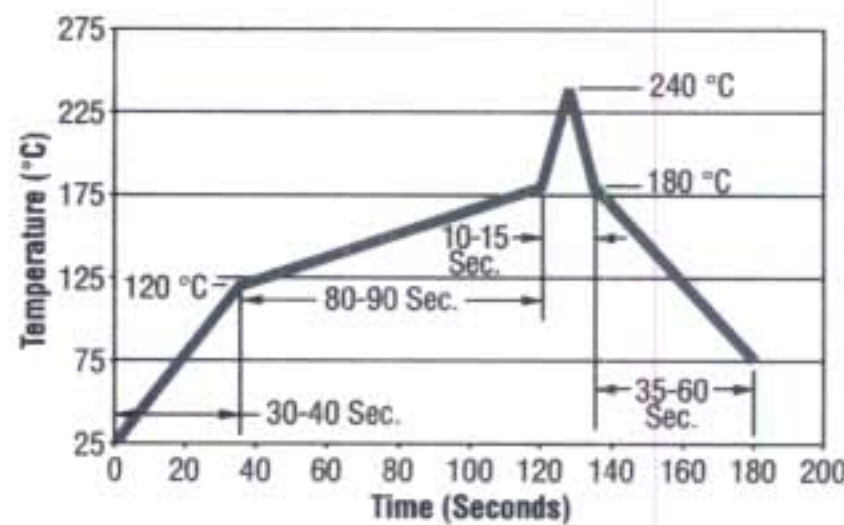
Switch Type .....(N.O.) SPST  
 Operating Temperature Range .....-20 °C to +70 °C  
 Storage Temperature Range .....-40 °C to +85 °C

### How to Order

STJ N - 4 05 - N TR

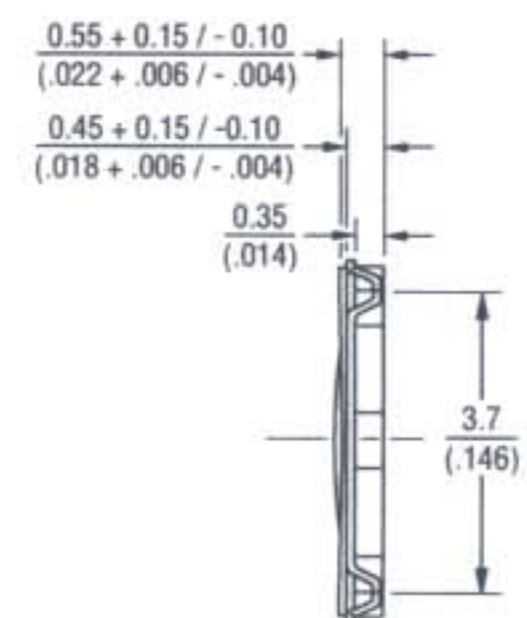
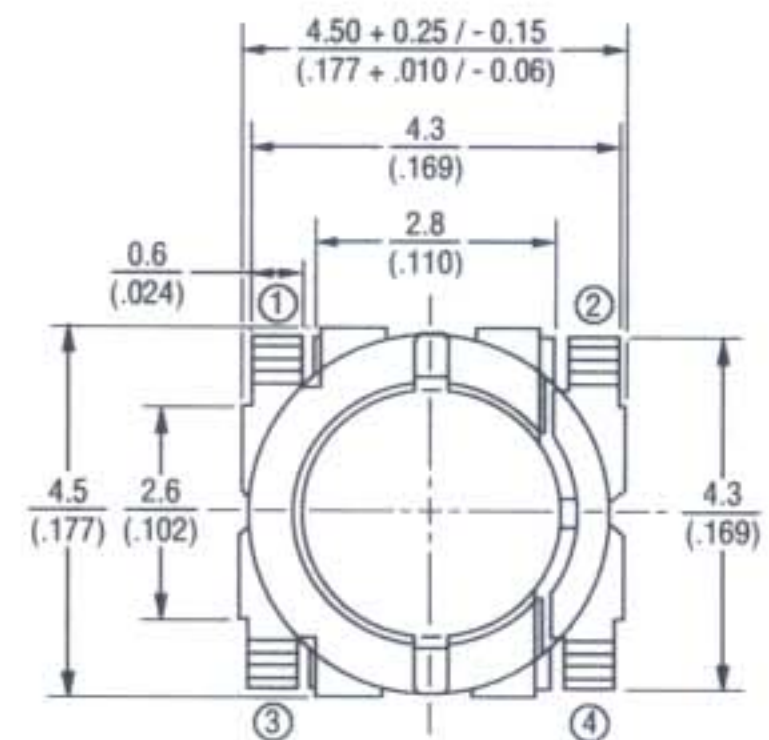


### Reflow Soldering Profile

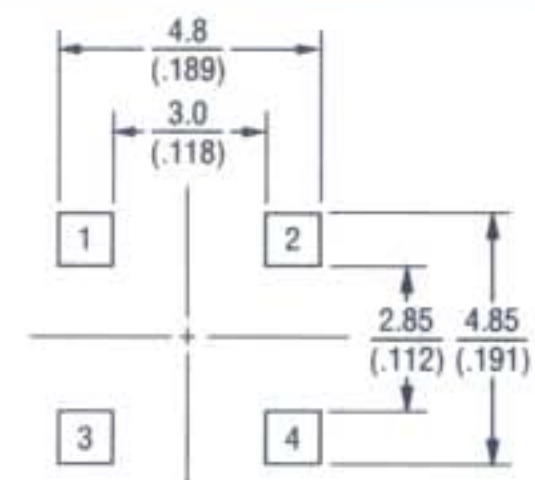


DIMENSIONS:  $\frac{MM}{(IN)}$

### Product Dimensions



### Recommended PCB Layout



### Circuit Diagram

