




Features

- Shielded construction
- Unit height of 5.4 mm
- Inductance range: 0.68 μ H to 4.7 μ H
- Current up to 29.7 A
- RoHS compliant*

 The SRP1255 series is currently available, although not recommended for new designs. The SRP1250 series is preferred.

SRP1255 Series - Shielded Power Inductors

Electrical Specifications

Bourns Part No.	Inductance L (μ H)	I rms (A)	I sat (A)	DCR (m Ω) max.
SRP1255-R68M	0.68	29.7	38.8	1.5
SRP1255-1R0M	1.00	25.7	33.6	2.0
SRP1255-1R2M	1.20	23.1	26.9	2.6
SRP1255-2R2M	2.20	17.8	19.6	4.5
SRP1255-3R3M	3.30	14.4	17.5	7.0
SRP1255-4R7M	4.70	12.8	14.9	8.8

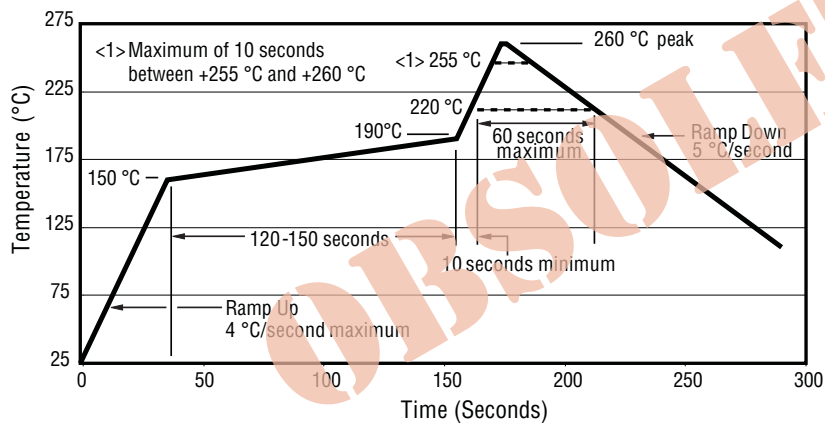
General Specifications

Test Voltage.....0.25 V
 Test Frequency100 KHz
 Reflow Soldering.....230 °C; 50 sec max.
 Operating Temperature ..-55 °C to +150 °C
 (Temperature rise included)
 Storage Temperature...-55 °C to +150 °C
 Resistance to Soldering Heat
+260 °C for 10 sec.

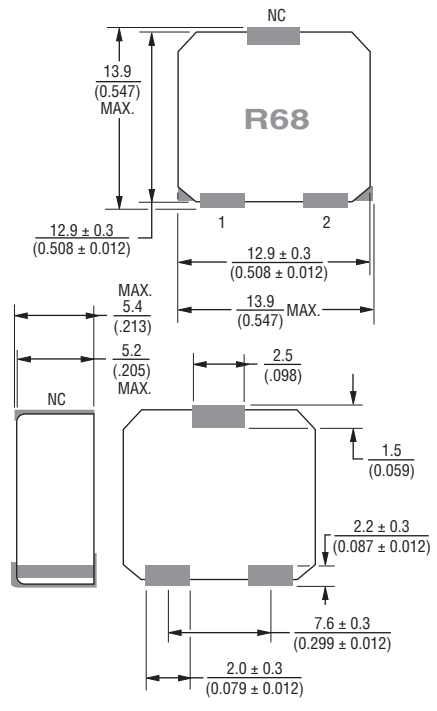
Materials

CoreIron
 WireEnameled copper
 TerminalCu/Sn
 Rated CurrentInd. drops 20 % at I sat
 Temperature Rise.....40 °C at rated I rms
 Packaging500 pcs. per 13-inch reel

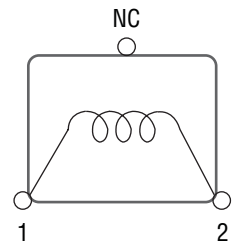
Soldering Profile



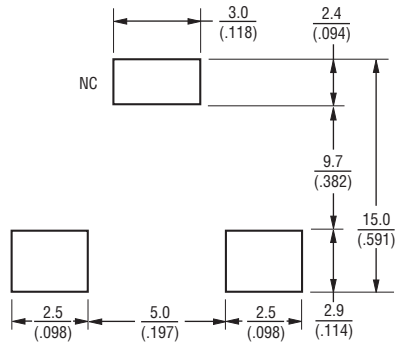
Product Dimensions



Electrical Schematic



Recommended Layout



DIMENSIONS: $\frac{\text{MM}}{\text{(INCHES)}}$

*RoHS Directive 2002/95/EC Jan 27 2003 including Annex
 Specifications are subject to change without notice.
 Customers should verify actual device performance in their specific applications.

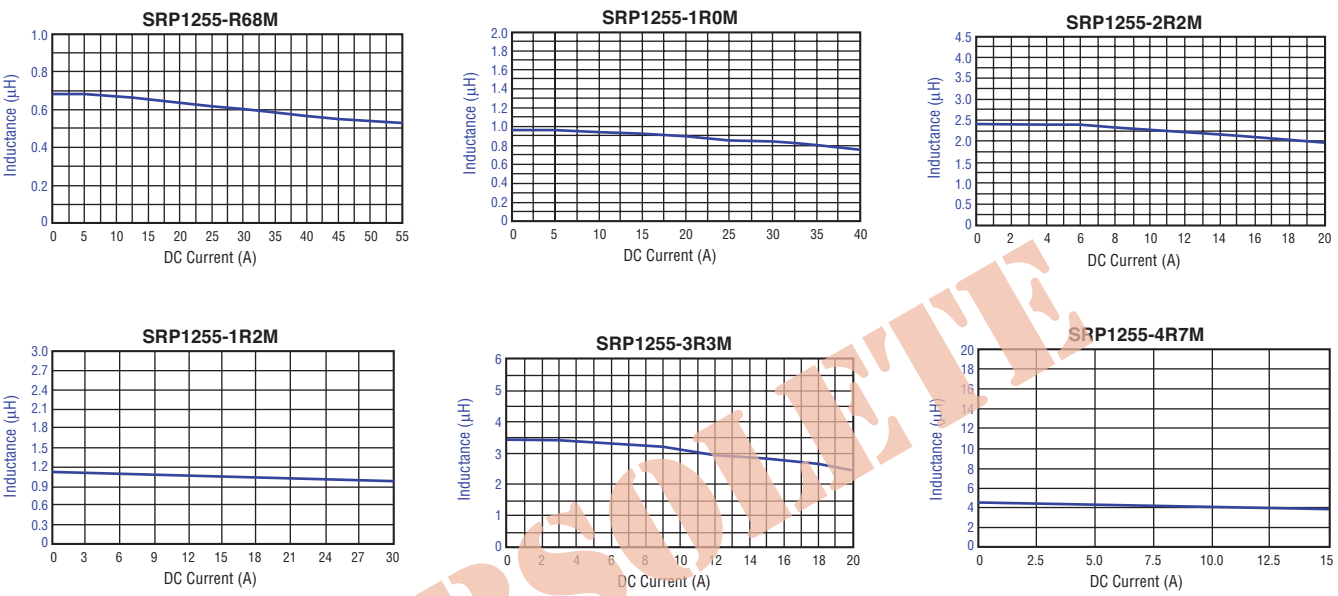
Applications

- Input/output of DC/DC converters
- Power supplies for:
 - Portable communications equipment
 - Camcorders
 - LCD TVs
 - Car audio systems

SRP1255 Series - Shielded Power Inductors



L vs. I Charts



Packaging Specifications

