

### Features

- Small height of 5.65 mm
- Operating temperature -40 °C to +85 °C
- RoHS compliant\*



This series is obsolete and not recommended for new designs. **SM75056PEL** is a possible alternative.

### Applications

- Telecom

## SM75056EL - T1/E1 Transformer

#### Electrical Specifications @ 25 °C

OCL (1-3)	mH min. @ 10 kHz, 0.1 V .....	1.2
OCL (6-8)	mH min. @ 10 kHz, 0.1 V .....	1.2
OCL (1-3)	μH min. @ 10 kHz, 0.1 V, (-40 °C to +85 °C) .....	600
OCL (6-8)	μH min. @ 10 kHz, 0.1 V, (-40 °C to +85 °C) .....	600
LL (1-3)	μH max. @ 100 kHz, 0.1 V short (16-14).....	0.6
LL (6-8)	μH max. @ 100 kHz, 0.1 V short (11-9).....	0.6
Cww (16-1)	pF max. @ 100 kHz, 0.1 V .....	30
Cww (11-6)	pF max. @ 100 kHz, 0.1 V .....	30
Turns Ratio	(1-3) : (16-14).....	1 : 1.26 ±2 %
	(6-8) : (11-9).....	1 : 1.26 ±2 %
DCR (1-3)	.....	0.8 ohm max.
DCR (6-8)	.....	0.8 ohm max.
Polarity (1, 16, 6, 11)	.....	Same phase
HIPOT	Between Windings .....	2000 VAC

#### Contact Area of Pins on the PCB

Minimum Total Contact Area.....5 mm<sup>2</sup>

#### Packaging Specifications

Tape & Reel\*..... 700 pcs./reel

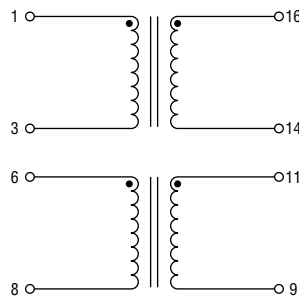
\*\*"E" suffix before "L" in part number designates tape & reel packaging, e.g. SM75056EL.

#### How To Order

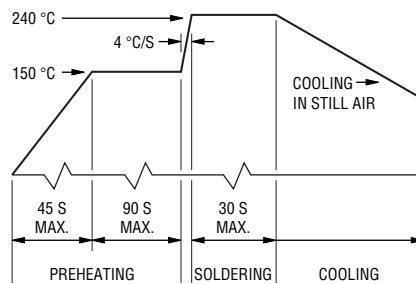
**SM75056E L**

Model \_\_\_\_\_  
Termination \_\_\_\_\_  
L = Tin only (RoHS Compliant)

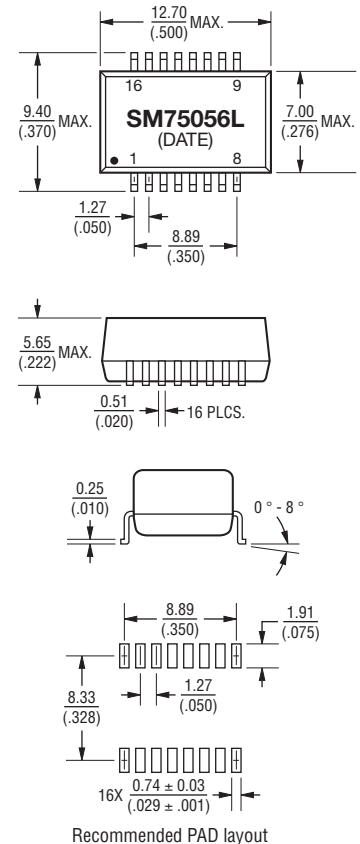
#### Electrical Schematic



#### Soldering Profile



#### Product Dimensions



DIMENSIONS:  $\frac{\text{MM}}{\text{(INCHES)}}$

TOLERANCE:  $\pm \frac{0.254}{(.010)}$