

Features

- Eight and four positions available
- Gold plated contacts offer high reliability
- Low contact resistance
- Just 1.5 mm total height
- Half pitch of 1.27 mm (.050 in.)
- RoHS compliant*



SDHH Series Half Pitch SMD DIP Switch

Electrical Characteristics

Electrical Life1,000 operation cycles per switch min.
 Non-Switching Rating ..100 mA, 50 VDC
 Switching Rating25 mA, 24 VDC
 Contact Resistance100 mohms max.
 Insulation Resistance ...100 Mohms min., DC 500 V min.
 Dielectric Strength
AC 300 V for 1 minute
 Capacitance5 pF max.
 between adjacent closed switch
 CircuitSingle pole single throw

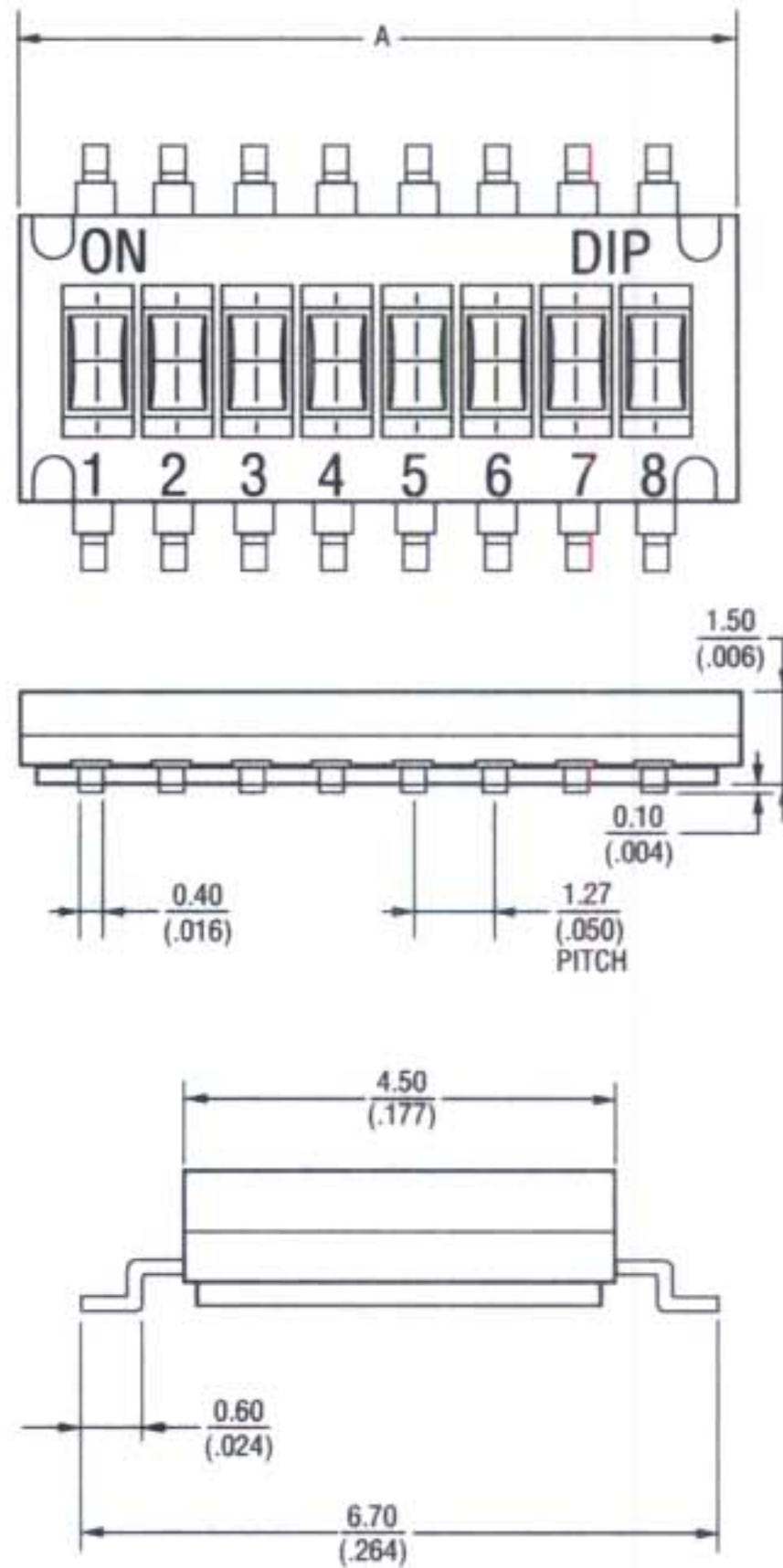
Environmental Characteristics

Mechanical Life1,000 operations per switch min.
 Operation Force500 g max.
 Stroke0.6 mm
 Operating Temp. Range
-40 °C to +85 °C
 Storage Temperature ...-40 °C to +85 °C
 Vibration TestMIL-STD-202F, Method 201A
 Frequency10-50-10 Hz/1 minute
 DirectionsX,Y,Z, three mutually perpendicular directions
 Time2 hours each direction, high reliability
 Shock TestMIL-STD-202F, Method 213B, Condition A
 Gravity50 G (peak value), 11 msec
 Direction & Times6 sides and 3 times in each direction. High reliability

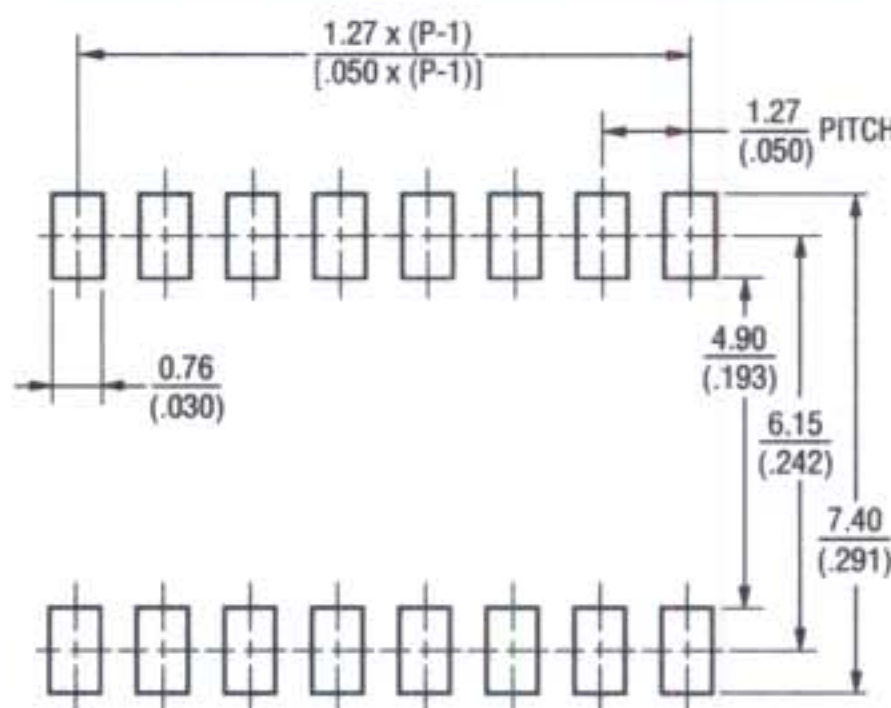
Physical Characteristics

Cover MaterialsThermoplastic Nylon, UL94V-0; black
 Base MaterialsThermoplastic Nylon, UL94V-0; black
 Actuator MaterialsThermoplastic LCP, UL94V-0; white
 Contact MaterialsAlloy Copper
 Contact Plating3 Micro inches gold over 40 micro inches nickel
 Terminal MaterialsBrass with Gold plating
 Reflow SolderingPeak temperature or reflow oven should be set to 240 ° C. max. 2 sec. while applying solder
 PackagingAll poles in the "off" position

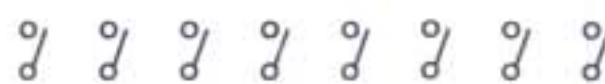
Product Dimensions



Recommended PCB Layout



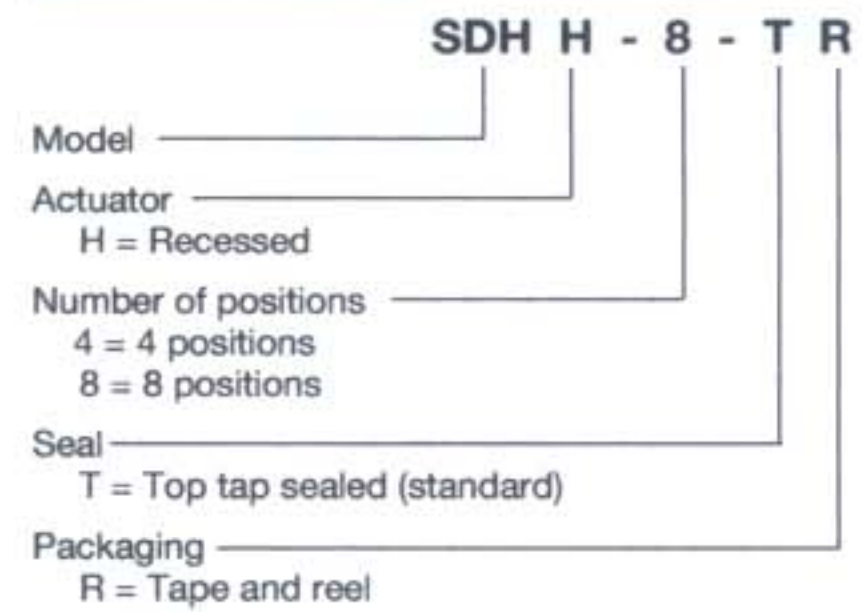
Circuit Diagram



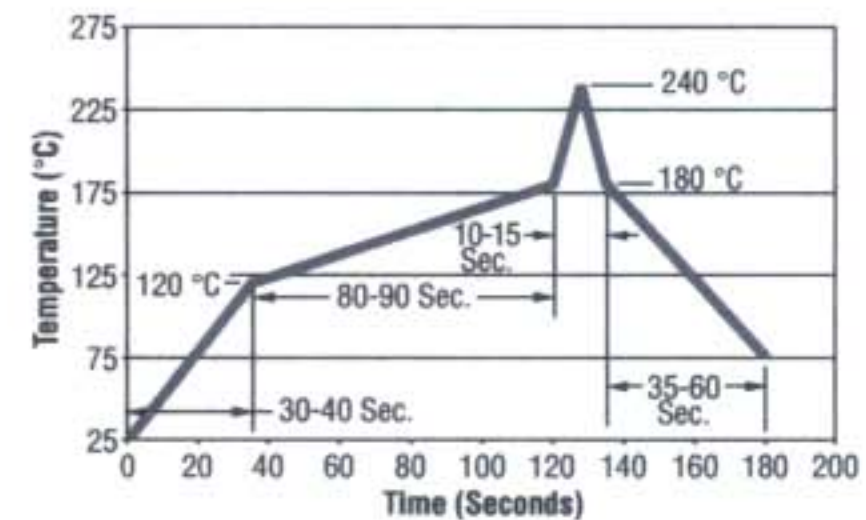
SDHH Series Dimensions

MODEL NO.	POS.	DIM. A	DIM. B
SDHH-4	4	6.31 (.248)	3.81 (.15)
SDHH-8	8	11.39 (.448)	8.89 (.35)

How to Order



Reflow Soldering Profile



DIMENSIONS ARE: $\frac{\text{MM}}{\text{(INCHES)}}$

TOLERANCES: $\pm .2$ EXCEPT WHERE NOTED.

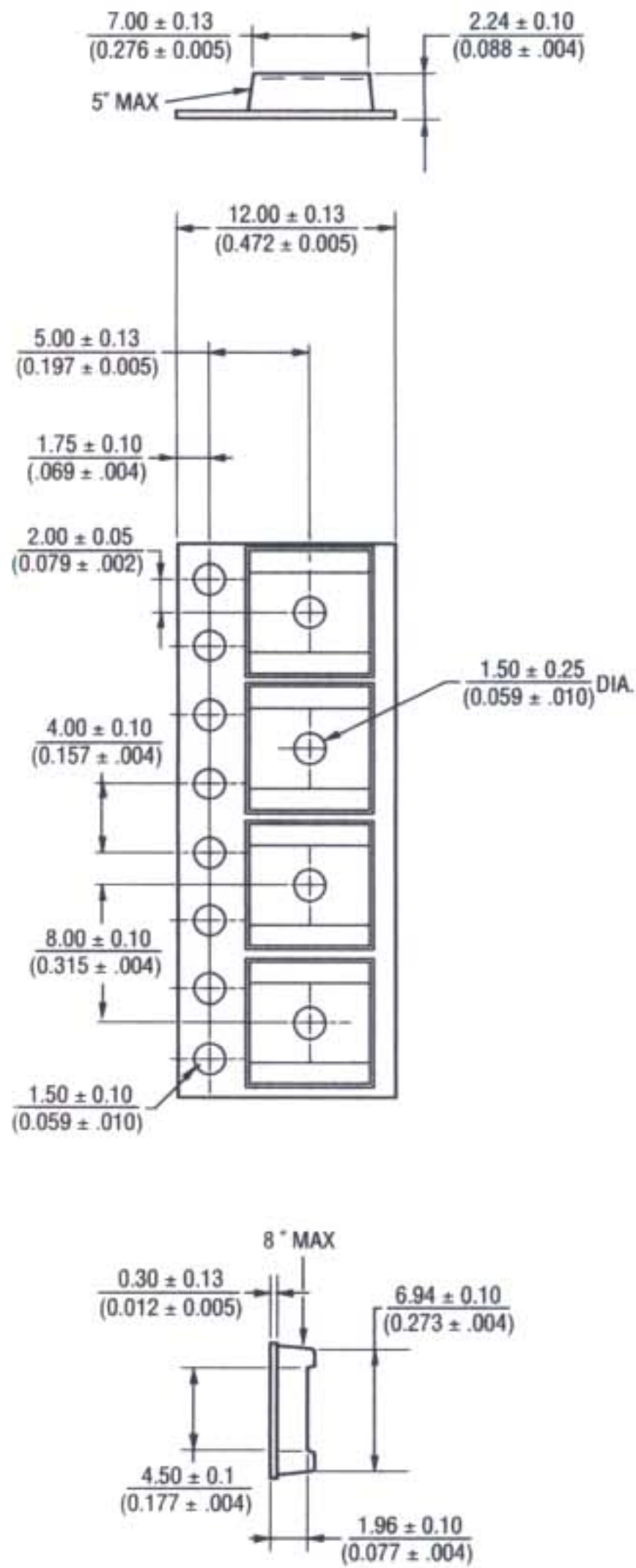


*RoHS Directive 2002/95/EC Jan 27 2003 including Annex. Specifications are subject to change without notice. Customers should verify actual device performance in their specific applications.

SDHH Series Half Pitch SMD DIP Switch

BOURNS®

Packaging Specifications



OBSOLETE

REV. 02/06

Specifications are subject to change without notice.
Customers should verify actual device performance in their specific applications.