

## Features

- Through-hole unit
- Isolation voltage of 20000 Vrms
- Low interwinding capacity
- RoHS compliant\*



This series is  $\text{Sd M}\&\text{R}_U$  not recommended for new designs.

## Applications

- Telecom

# PT66011AL - ISDN S-Interface Transformer Module

### Electrical Specifications @ 25 °C

Turns Ratio  $\pm 1\%$  (III+IV:I+II) ..... see schematic  
 Impedance at 20 kHz 100 mV with IDC=3.6 mA (core 1,2) ohm min ..... 625  
 OCL at 10 kHz 100 mV(mH min)  
 Transformer I+II (core 1,2) ..... 22  
 Choke V,VI,VII, VIII +50/-30 % ..... 5  
 Interwinding Capacity (10 kHz 100 mV)  
 Cww (pF max) (core 1,2) ..... 150  
 Leakage Inductance (10 kHz 100 mV)  
 Ls ( $\mu\text{H}$ )  
 Ls I+II (III+IV shorted) core 1,2 ..... <0.6  
 Ls V( IV,VI,VII shorted) core 3 ..... <0.6  
 HIPOT 50 Hz for 2 sec. (Vrms)  
 I/II (core 1+2) to III/IV (core 1+2) . 2000  
 V/VI (core 3) to III/IV (core 1) to VII+VIII (core 3) + III/IV (core 2) ..... 500  
 DCR III=IV (ohm Max) ..... 2.65  
 DCR I+II (ohm max) ..... 1.4  
 DCR V,VI,VII, VIII (ohm max) ..... 1.1  
 Operating Temperature ( $^{\circ}\text{C}$ ) ..... 0 to +70

Other OCL specifications available on request.

### Packaging Specifications

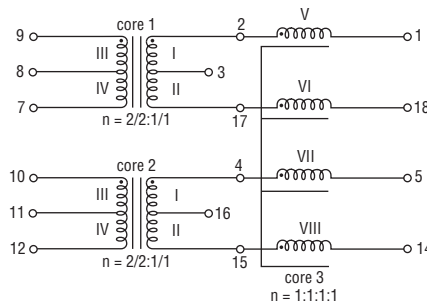
Tubes ..... 15 pcs./tube

### How To Order

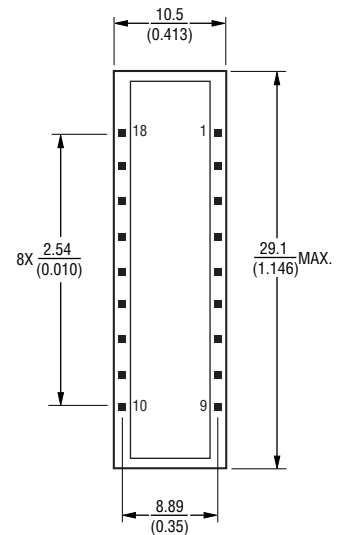
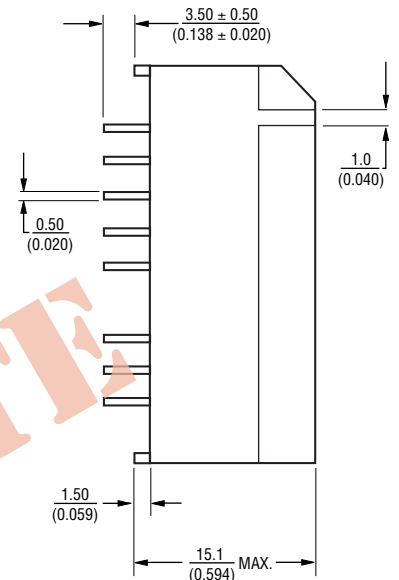
**PT66011A L**

Model \_\_\_\_\_  
 Termination \_\_\_\_\_  
 L = Tin only (RoHS Compliant)

### Electrical Schematic



### Product Dimensions



BOTTOM VIEW

DIMENSIONS:  $\frac{\text{MM}}{(\text{INCHES})}$

TOLERANCES:  $\pm \frac{0.2}{(0.008)}$

REV. 05/13

\*RoHS Directive 2002/95/EC Jan. 27, 2003 including annex and RoHS Recast 2011/65/EU June 8, 2011.  
 Specifications are subject to change without notice.

The device characteristics and parameters in this data sheet can and do vary in different applications and actual device performance may vary over time.  
 Users should verify actual device performance in their specific applications.