

Features

- IEEE 802.3 Ethernet compatible
- Designed for AMD IC manufacturers
- Fully integrated for adapter, hub and motherboard applications
- RoHS compliant*



This series is 'Sd M/R,U not recommended for new designs.

Applications

- LAN (Local Area Network)
- Ethernet

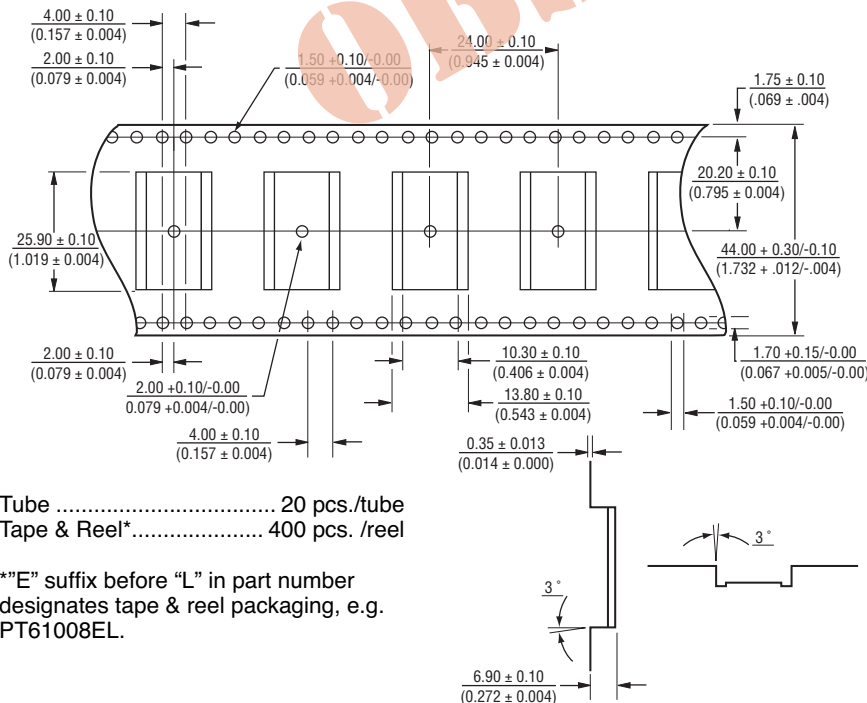
PT61008L LAN 10Base-T Filter Interface

Electrical Specifications @ 25 °C

Turns Ratio	
TX ± 5 %	1:1
RX ± 5 %	1:1
Insertion Loss (dB max.)	
1 to 10 MHz	-6.0
Cross Talk (dB min.)	
5 to 10 MHz	-35
Hipot (Vrms min.)	1500
Attenuation (dB min.)	
20 MHz	-5
25 MHz	-11
30 MHz	-16
40 MHz	-26
Return Loss (dB min.)	
5-10 MHz, 100 Ω	-15
5-10 MHz, 98 ± 13 Ω	-13
Com Mode Rejection (dB min.)	
5-10 MHz	-30
10-50 MHz	-25
Operating Temperature	0 °C to +70 °C

Other OCL specifications available on request.

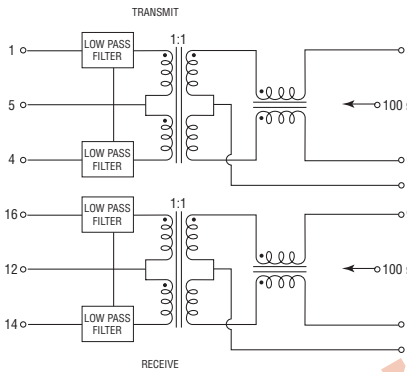
Packaging Specifications



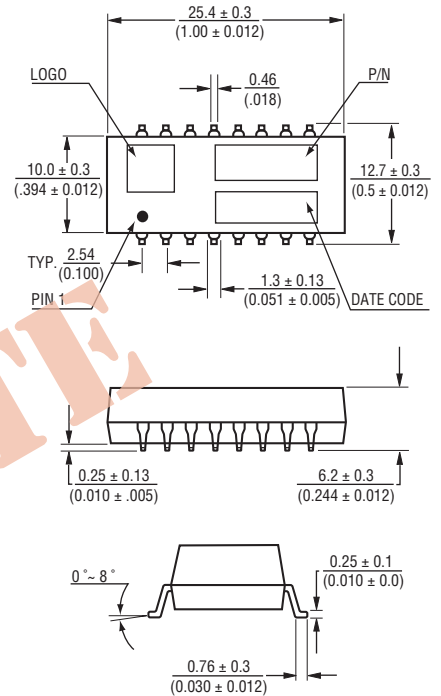
Tube 20 pcs./tube
Tape & Reel* 400 pcs./reel

*"E" suffix before "L" in part number designates tape & reel packaging, e.g. PT61008EL.

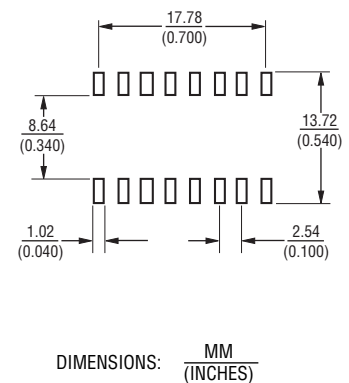
Electrical Schematic



Product Dimensions



Recommended Layout



How To Order

Model **PT61008** **L**

Packaging _____
Blank = Packaged in tubes
E = Tape and reel

Termination _____
L = Tin only (RoHS Compliant)

REV. 05/13

*RoHS Directive 2002/95/EC Jan. 27, 2003 including annex and RoHS Recast 2011/65/EU June 8, 2011. Specifications are subject to change without notice.

The device characteristics and parameters in this data sheet can and do vary in different applications and actual device performance may vary over time. Users should verify actual device performance in their specific applications.