

Features

- Compliant with IEEE 802.3 and ANSI X3.263
- Designed to support 4 single or double stacked RJ45 connectors
- 40 pin SMD
- RoHS compliant*

This series is Sd M\&R_U not recommended for new designs.

Applications

- LAN (Local Area Network)
- Ethernet

PT61007L LAN 10Base-T/ 100Base-TX QUAD

Electrical Specifications @ 25 °C

Turns Ratio	
TX.....	1:1
RX.....	1:1
OCL @ 8mADC μH min.....	350
Rise & Fall Time (ns max)	3.0
Insertion Loss (dB max.)	
0.1 to 100 MHz.....	-1.1
Cross Talk (dB min.)	
0.1 to 100 MHz.....	-30
Hipot 60 sec. (Vrms).....	1500
Leakage Inductance (μH max.)	0.5
Interwinding Capacity (pF max.).....	25
Return Loss (dB min.)	
0.1 to 30 MHz.....	-18
30 to 60 MHz.....	-14
60 to 80 MHz.....	-11
Typ. Diff to Com Mode Rejection (dB min.)	
0.1 to 100 MHz.....	-40
Operating Temperature.....	0 °C to +70 °C

Other OCL specifications available on request.

Packaging Specifications

Tube	18 pcs./tube
Tape & Reel*.....	400 pcs./reel

**"E" suffix before "L" in part number designates tape & reel packaging, e.g. PT61007EL.

How To Order

Model PT61007 L

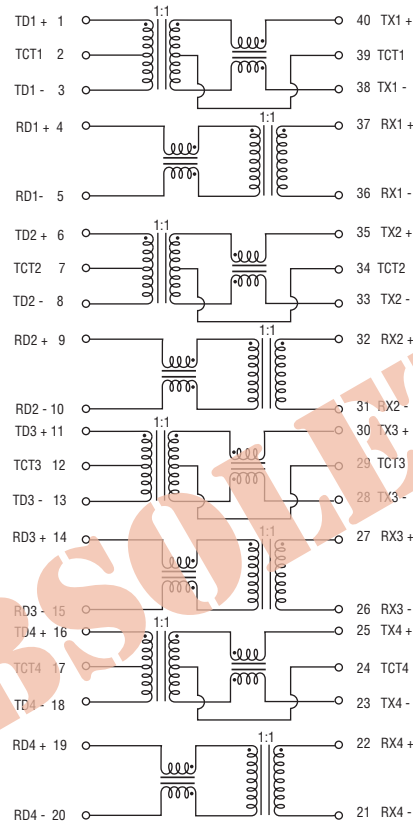
Packaging _____

Blank = Packaged in tubes
E = Tape and reel

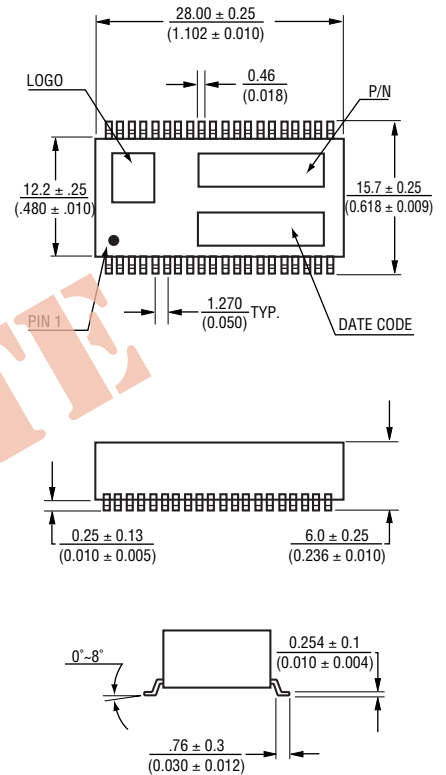
Termination _____

L = Tin only (RoHS Compliant)

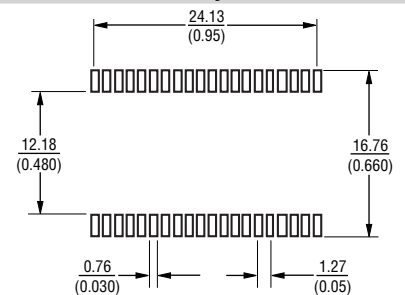
Electrical Schematic



Product Dimensions



Recommended Layout



DIMENSIONS: $\frac{\text{MM}}{(\text{INCHES})}$