

Features

- Compatible with multiple transceiver brands, see below**
- Cable interface for isolation and low common mode emissions
- 155ATM, 100Base-TX and TP-FDDI applications
- Meets all IEEE802.3 and ANSI X3.263 standards

This series is Sd M/R_U not recommended for new designs.

- RoHS compliant*

PT61003L LAN 10Base-T/100Base-TX High Speed

Electrical Specifications @ 25 °C

Turns Ratio	
TX.....	1:1
RX.....	1:1
OCL @ 8mADC μH min.....	
350	
Rise & Fall Time (ns max.)	
2.5	
Insertion Loss (dB max.)	
1 to 125 MHz.....	-1.0
Cross Talk (dB min.)	
1 to 60 MHz.....	-40
60 to 100 MHz.....	-30
Hipot 60 sec. (Vrms).....	1500
Return Loss TX (dB min.)	
1 to 60 MHz.....	-18
60 to 100 MHz.....	-12
Return Loss RX (dB min.)	
1 to 60 MHz.....	-18
60 to 100 MHz.....	-12
Diff to Com Mode Rejection	
TX (dB min.)	
1 to 60 MHz.....	-40
60 to 100 MHz.....	-35
RX (dB min.)	
1 to 60 MHz.....	-40
60 to 100 MHz.....	-35
Operating Temperature	
.....	-40 °C to +85 °C

Other OCL specifications available on request.

Packaging Specifications

Tape & Reel..... 400 pcs./reel

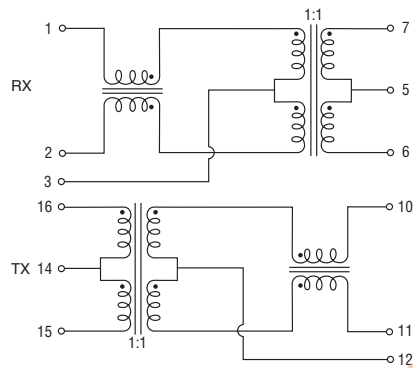
How To Order

Model PT61003E L

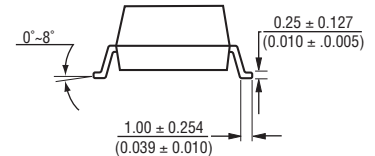
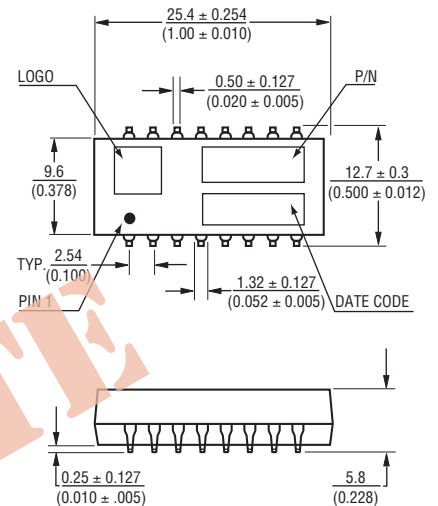
Termination _____

L = Tin only (RoHS Compliant)

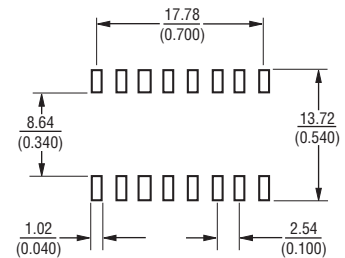
Electrical Schematic



Product Dimensions



Recommended Layout



DIMENSIONS: $\frac{\text{MM}}{\text{(INCHES)}}$

REV. 05/13

*RoHS Directive 2002/95/EC Jan. 27, 2003 including annex and RoHS Recast 2011/65/EU June 8, 2011.

Specifications are subject to change without notice.

The device characteristics and parameters in this data sheet can and do vary in different applications and actual device performance may vary over time.

Users should verify actual device performance in their specific applications.