

## Features

- Meets the CCITT 1.430 ISDN S interface specifications
- 1.5 kVrms HIPOT PRI/SEC in conformance with international safety standards
- Low leakage inductance
- 60 dB min. longitudinal balance 10 kHz to 100 kHz



This series is  $\Delta$  Sd M/R\_U not recommended for new designs.

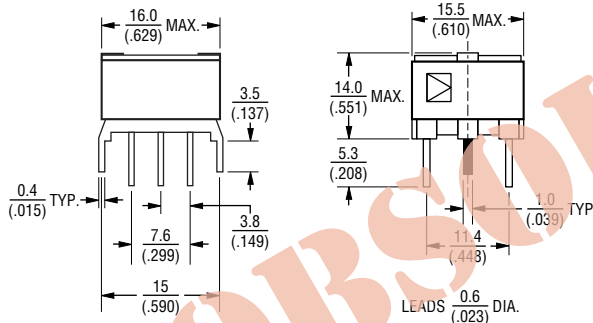
- Weight - 8 g
- Operating temperature 0 °C to +70 °C
- RoHS compliant\*

## PT234 Series - ISDN S-Interface Isolation Transformers

### Electrical Specifications @ 25 °C

Part Number	Turns Ratio ( $\pm 2\%$ )	Primary Inductance (mH min.)	Primary Leakage Inductance (mH max.)	Cw/w (pF max.)	Pri DCR ( $\Omega \pm 15\%$ )	Sec DCR ( $\Omega \pm 15\%$ )
PT23401L	1:1	25	13	50	1.1	1.3
PT23402L	1:1.8	23	13	50	1.1	1.8
PT23403L	1:2	23	13	50	1.1	2.6
PT23404L	1:2.5	23	13	50	1.1	4.2

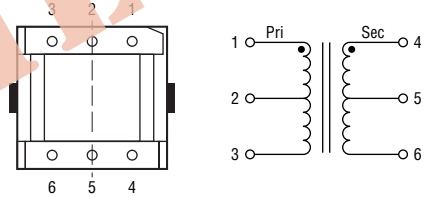
### Product Dimensions



DIMENSIONS:  $\frac{\text{MM}}{\text{(INCHES)}}$

TOLERANCE  $\pm \frac{0.25}{(0.010)}$

### Electrical Schematic



### Packaging Specifications

Tray .....50pcs./tray,  
500 pcs./carton

### How To Order

Model \_\_\_\_\_ **PT234xx L**  
Termination \_\_\_\_\_  
L = Tin only (RoHS Compliant)

REV. 05/13

\*RoHS Directive 2002/95/EC Jan. 27, 2003 including annex and RoHS Recast 2011/65/EU June 8, 2011.  
Specifications are subject to change without notice.

The device characteristics and parameters in this data sheet can and do vary in different applications and actual device performance may vary over time.  
Users should verify actual device performance in their specific applications.