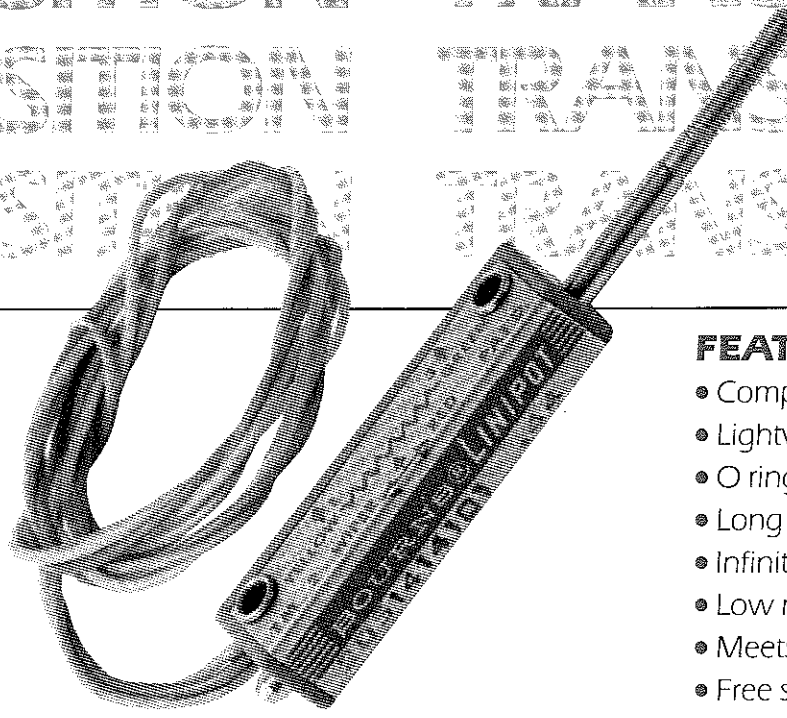


**MODEL 141**

LINEAR POSITION TRANSDUCER

POSITION TRANSDUCER  
POSITION TRANSDUCER  
POSITION TRANSDUCER  
POSITION TRANSDUCER  
POSITION TRANSDUCER  
POSITION TRANSDUCER  
POSITION TRANSDUCER  
POSITION TRANSDUCER  
POSITION TRANSDUCER  
POSITION TRANSDUCER

**OBSOLETE**



**FEATURES:**

- Compact
- Lightweight
- O ring seal
- Long life
- Infinite resolution (optional)
- Low noise
- Meets Mil spec environments
- Free shaft rotation
- AC or DC
- No backlash
- Self-lubricating bushings
- Dual Output and shaft options available
- Flexible wire leads

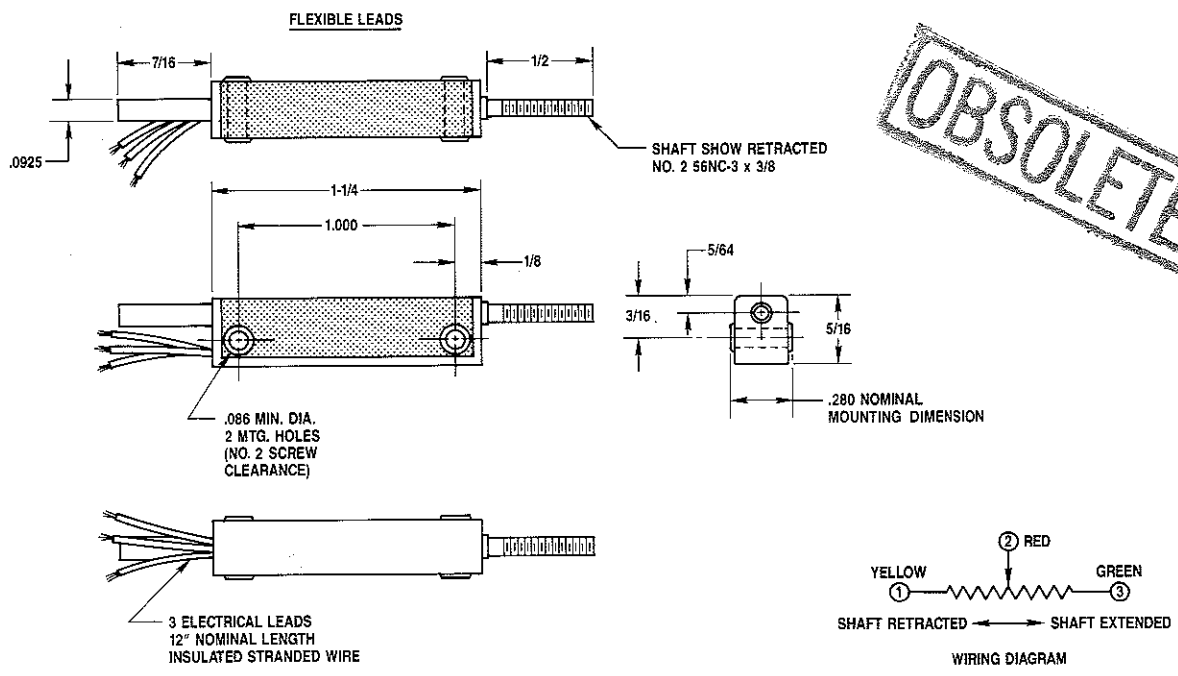


INSTRUMENTS, INC.

# MODEL 141

## LINEAR POSITION TRANSDUCER

**OBSOLETE**



### SPECIFICATIONS

STANDARD RANGES . . . . .  $\frac{3}{16}$ ,  $\frac{1}{4}$ ,  $\frac{5}{16}$ ,  $\frac{3}{8}$ ,  $\frac{7}{8}$  inches  
 STANDARD RESISTANCES . . . 1K, 2K, 5K, 10K Ohms  
 . . . . .  $\pm 10\%$

LINEARITY  
 (INDEPENDENT) . . . . .  $\pm 1\%$  of range

END SETS . . . . .  $\pm 2.5\%$ , 2.5% to 97.5% of range

RESOLUTION . . . . . 0.001 inch (typical)

POWER RATING . . . . . 0.8 watts/inch @ 70°F

OPERATING TEMPERATURE  
 RANGE . . . . . -67°F to +250°F

INSULATION RESISTANCE . . . 50 Megohms @ 500VDC

BACKLASH . . . . . Negligible

SHAFT ACTUATING FORCE . 4 oz. max @ 70°F

LIFE . . . . . 500,000 cycles

SHOCK . . . . . 50 G for 6.5 msecs.

VIBRATION . . . . . 20 G, 20-20,000 Hz

ACCELERATION . . . . . 100 G

Specifications are typical. Please contact Bourns Instruments, Inc. for special requirements.

Specifications and dimensions are subject to change without prior notice.



INSTRUMENTS, INC.  
 6135 Magnolia Ave., Riverside, CA 92506 • TWX 910-332-6103 • Telephone 714 781-5148