

Features

- DC to 4 GHz
- Flanged model
- Low VSWR



This series is obsolete and not recommended for new designs.

Applications

- High power RF transmission

CHF5225CNF Series 60 W Power RF Flanged Chip Termination

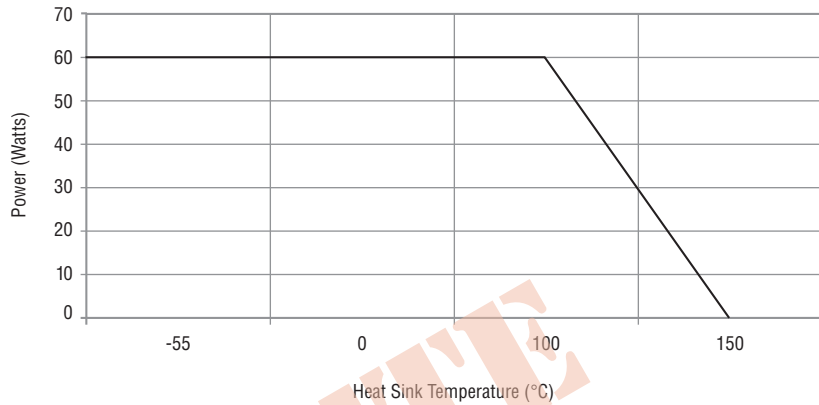
General Specifications

Substrate ALN
 Resistive Film Thick Film
 Tab Ag
 Protection Epoxy
 Tab Attachment Brazed with Epoxy Encapsulation
 Mounting Flange Cu plated with Ni
 Resistance 50 W
 Tolerance ±5 %
 Packaging 100 pcs./box

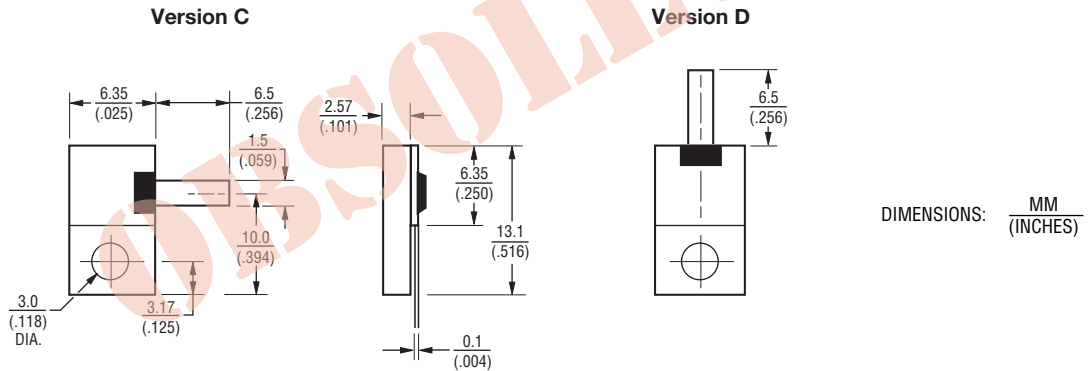
Absolute Ratings

Power 60 W
 Frequency 4.0 GHz
 VSWR 1.2 Maximum

Characteristic Curve



Product Dimensions



How To Order

Model _____ CHF 5225 C N F 500 L

Size _____

Version _____

Substrate _____

Mount _____
 F = Flange

Value _____
 500 = 50 Ohm

Function _____
 L = Termination

REV. 12/15

*RoHS Directive 2002/95/EC Jan. 27, 2003 including annex and RoHS Recast 2011/65/EU June 8, 2011.

Specifications are subject to change without notice.

The device characteristics and parameters in this data sheet can and do vary in different applications and actual device performance may vary over time.

Users should verify actual device performance in their specific applications.