

### Features

- IEEE 802.3af Ethernet compatible
- Designed for AMD IC manufacturers
- Fully integrated for adapter, hub and motherboard applications
- RoHS compliant\*

This series is obsolete and not recommended for new designs. The **PT61017PEL Series** is preferred.

### Applications

- LAN (Local Area Network)
- Ethernet

## PT61017EL LAN 10/100 Base-Tx

### Electrical Specifications @ 25 °C

Turns Ratio	
TX ± 5% .....	1CT*:1CT*
RX ± 5% .....	1CT*:1CT*
OCL (μH min) .....	350
Interwinding Capacitance	
C <sub>ww</sub> (pF typ.) .....	20
Leakage Inductance L <sub>s</sub> (μH max.) .....	0.5
Hipot 60 sec. (Vrms) .....	1500
DCR (Ω max.) .....	0.9
Polarity .....	1-16, 6-11 In-Phase
Insertion Loss	
....0.3-100 MHz - 1.1 dB Max. (TX/RX)	
Return Loss	
0.3-30 MHz .....	-18 dB Min. (TX/RX)
40 MHz .....	-15 dB Min. (TX/RX)
50 MHz .....	-13 dB Min. (TX/RX)
60-80 MHz .....	-12 dB Min. (TX/RX)
Cross Talk	
0.3 - 60 MHz ...	-42 dB Min. (TX to RX)
60-100 MHz ...	-35 dB Min. (TX to RX)
Common Mode Rejection	
0.3-30 MHz .....	-40 dB Min. (TX/RX)
60-100 MHz .....	-35 dB Min. (TX/RX)
80-100 MHz .....	-30 dB Min. (TX/RX)
Operating Temperature .....	0 °C to +70 °C

\*CT: Center tap

### Material

Termination ..... Tin

### Packaging Specifications

Tape & Reel ..... 700 pcs./reel

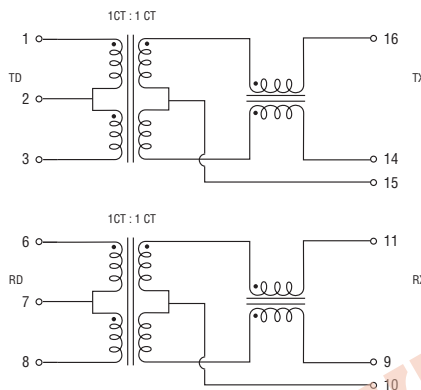
### How To Order

Model PT61017 E L

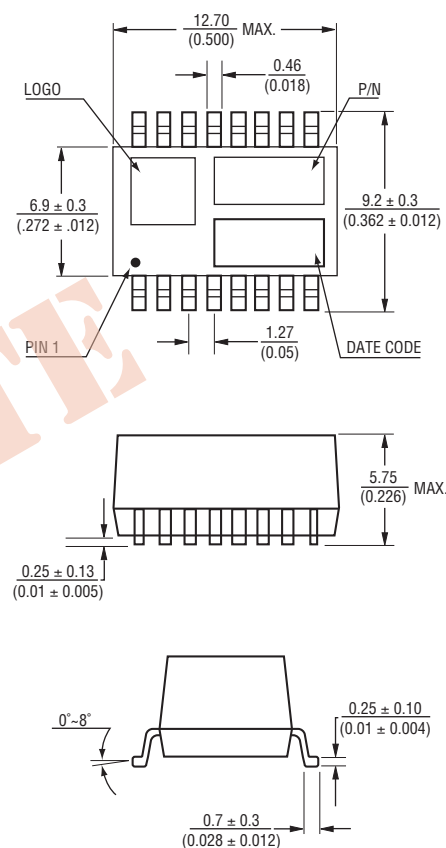
Packaging \_\_\_\_\_  
 E = Tape and Reel (700 pcs./reel)

Termination \_\_\_\_\_  
 L = Tin only (RoHS Compliant)

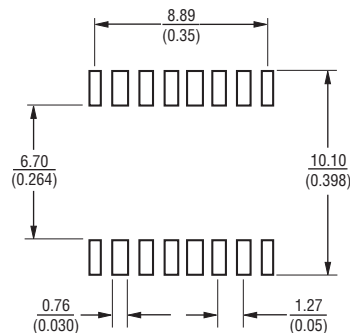
### Electrical Schematic



### Product Dimensions



### Recommended Layout



DIMENSIONS:  $\frac{\text{MM}}{\text{(INCHES)}}$

REV. 01/15

\*RoHS Directive 2002/95/EC Jan. 27, 2003 including annex and RoHS Recast 2011/65/EU June 8, 2011. Specifications are subject to change without notice.

The device characteristics and parameters in this data sheet can and do vary in different applications and actual device performance may vary over time. Users should verify actual device performance in their specific applications.