



BOURNS®

Features

- 8 or 10 position coded switch
- Miniature industrial switch multi-position
- Vertical adjust
- Rugged surface mount design
- Rugged lead frame construction

Applications

- Board address
- Instrumentation
- Test equipment

7744 SMD 4 mm Square Sealed Coded Switch

Electrical Characteristics

Contact Rating
 Maximum Current100 mA max.
 Maximum Voltage16 V
 Contact Resistance
100 milliohms max.
 Insulation Resistance1000 megohms
 Dielectric Strength250 volts

General Characteristics

Switch TypeBinary
 Operating Temperature Range
-55 °C to +125 °C
 Storage Temperature Range
-55 °C to +125 °C
 Seal Test85 °C Fluorinert*

Mechanical Characteristics

Positions8 or 10
 Adjustment Detent Torque
0.1-2.5 N-cm

Environmental Characteristics

Shock100 G
0.1 ms. max. discontinuity
 Vibration20 G
0.1 ms. max. discontinuity
 Thermal Shock (5 cycles)
-55 °C to +125 °C
 Contact Resistance
100 milliohms max.
 Humidity
 Insulation Resistance
10 megohms min.
 Contact Resistance
100 milliohms max.
 Actuation Life1,000 steps
 Contact Resistance
100 milliohms max.
 Maximum Soldering Heat245 °C,
 5 seconds
 Standard Packaging
 TubeJ, G = 50 pcs./tube
 H = 100 pcs./tube
 Tape & Reel500 pcs./reel

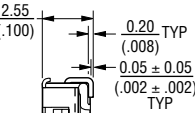
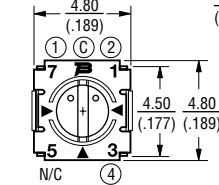
How to Order

7744 J - 1 - 008 E

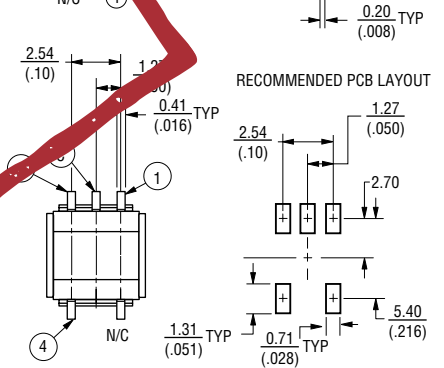
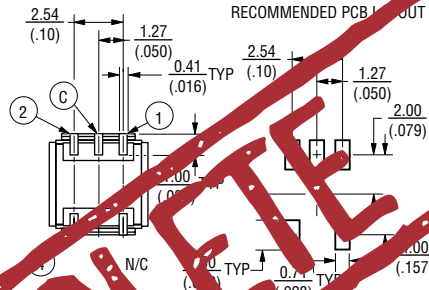
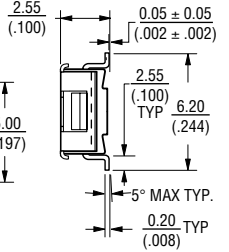
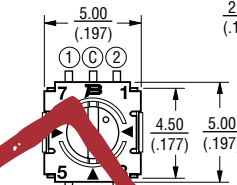
Model _____
 Terminal _____
 Switch Type _____
 1 = Standard
 Number of Positions _____
 008 = Binary coded octal
 010 = Binary coded decimal
 Embossed Tape Option _____
 (Omit letter for tube)

Product Dimensions

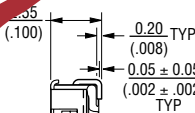
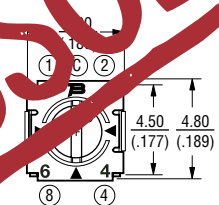
7744J-8



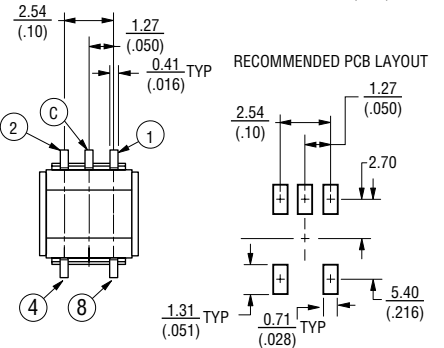
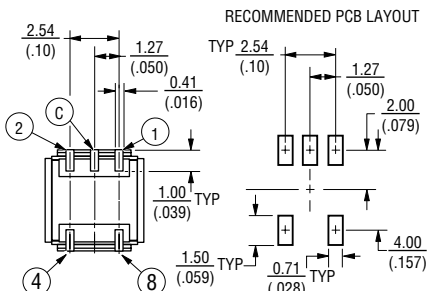
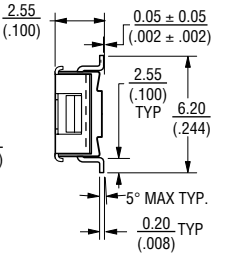
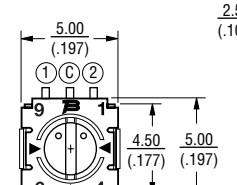
7744G-8



7744J-10



7744G-10



TOLERANCES: ±.2 EXCEPT WHERE NOTED.

DIMENSIONS: $\frac{MM}{(IN)}$

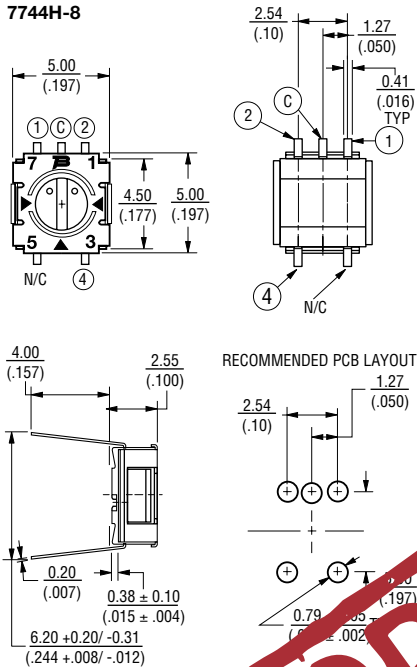
*OFF POSITION IS COMMON.

7744 SMD 4 mm Square Sealed Coded Switch

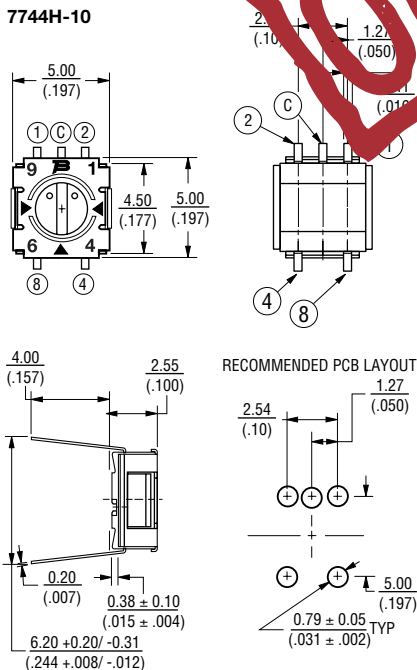
BOURNS®

Product Dimensions

7744H-8

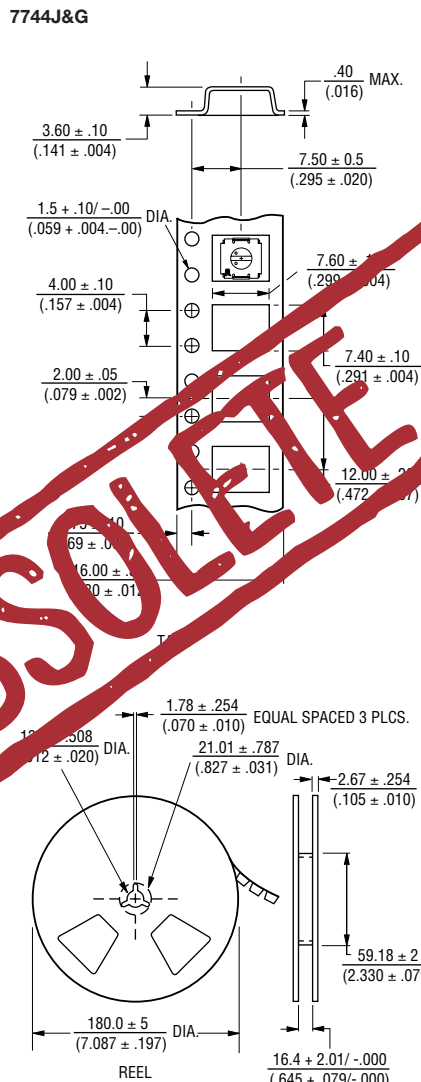


7744H-10

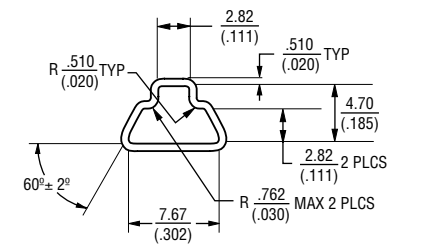


Packaging Specifications

7744J&G

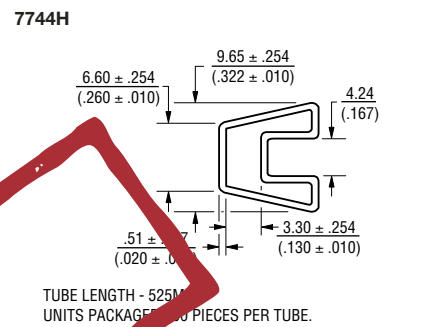


Meets EIA 481



Packaging Specifications

7744H



TUBE LENGTH - 525MM
UNITS PACKAGE - 100 PIECES PER TUBE.

Binary (REAL) Code

10 POSITIONS
(Binary Coded
Decimal)

	1	2	4	8	C
0					X
1	X				X
2		X			X
3	X	X			X
4			X		X
5	X		X		X
6		X	X		X
7	X	X	X		X
8				X	X
9	X			X	X

8 POSITIONS
(Binary Coded
Octal)

	1	2	4	C
0				X
1	X			X
2		X		X
3	X	X		X
4			X	X
5	X		X	X
6		X	X	X
7	X	X	X	X

X = CONNECTION

Reflow Soldering Profile

