


Features

- Protects up to four lines
- Fast and easy installation
- High surge-energy handling
- Long service life
-  Listed per UL 497B (File: 153537)

Applications

- Power Over Ethernet (POE)
- Wireless access points
- IP telephony & cameras
- High-speed applications
- Midspan PSE

7205 Series Surge Protection Assembly

Bourns® Model 7205 is a high quality surge protection device that is designed to prevent damage to equipment and personnel from electrical transients up to rated limits. It incorporates Bourns® Gas Discharge Tube (GDT) surge protection for high surge-energy handling with Insulation Displacement Connectors (IDCs) which simplify installation. Unstripped copper 22-26 AWG wire is inserted and the connector is closed – no tools required. The board-mounted components are enclosed in a UL Listed, weather-resistant enclosure. A #10 stud is provided for connection to ground. The cover may be embossed with an optional custom logo.

Characteristics

Test Methods per ITU-T (CCITT) K.12, IEEE C62.31, RUS PE80, Telcordia GR-1361.

DC Sparkover ±20%.....	100 V/s	150 V
Impulse Sparkover.....	100 V/μs	350 V
	1000 V/μs	575 V
Impulse Transverse Delay	1000 V/μs	< 75 ns
Insulation Resistance	100 V	> 10 ¹⁰ Ω
Glow Voltage	10 mA	~ 70 V
Arc Voltage	1 A	~ 10 V
Glow-Arc Transition Current		< 0.5 A
Capacitance.....	1 MHz	< 2 pF
DC Holdover Voltage ¹	> 80 V	< 150 ms
Impulse Discharge Current.....	20000 A, 8/20 μs	> 10 operations
	1000 A, 10/1000 μs	> 400 operations
Alternating Discharge Current	130 Arms, 11 cycles ²	1 operation min.
	20 Arms, 1 s	> 10 operations
Operating and Storage Temperature		-40 to +85° C

Notes:

- UL Listed per file 153537.
- Model number marking on part: 26-xxx V.
- The rated discharge current is the total current equally divided between each line to ground.
- Sparkover limits after life ±25 %, IR >10⁸ Ω.

¹ Network applied.

² DC sparkover may exceed ±25 % after discharge, but will continue to protect without venting.

BOURNS®

Asia-Pacific: Tel: +886-2 2562-4117 • Fax: +886-2 2562-4116

EMEA: Tel: +36 88 520 390 • Fax: +36 88 520 211

The Americas: Tel: +1-951 781-5500 • Fax: +1-951 781-5700

www.bourns.com

*RoHS Directive 2002/95/EC Jan. 27, 2003 including annex and RoHS Recast 2011/65/EU June 8, 2011.

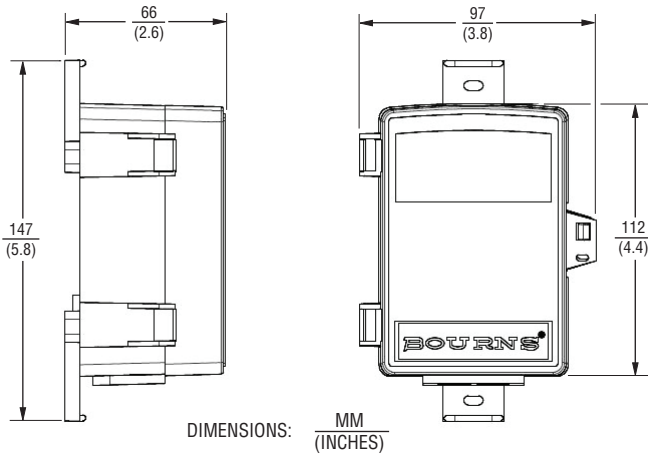
Specifications are subject to change without notice.

The device characteristics and parameters in this data sheet can and do vary in different applications and actual device performance may vary over time. Users should verify actual device performance in their specific applications.

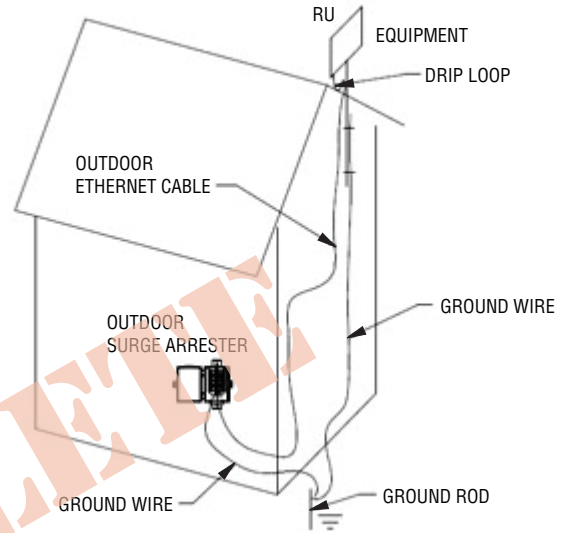
7205 Series Surge Protection Assembly

BOURNS®

Product Dimensions

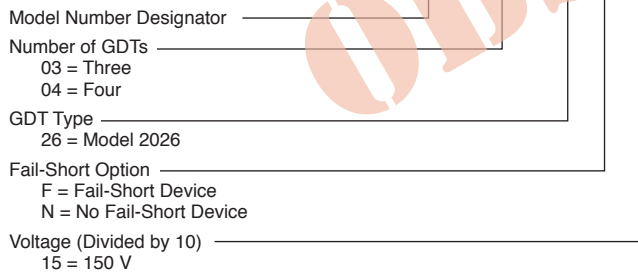


Installation Diagram



How to Order

7205 - 0X - 26 X 15



REV. C 04/18

Specifications are subject to change without notice. The device characteristics and parameters in this data sheet can and do vary in different applications and actual device performance may vary over time. Users should verify actual device performance in their specific applications.