

Current Sensors



The 7200 series is currently unavailable and not recommended for new designs.

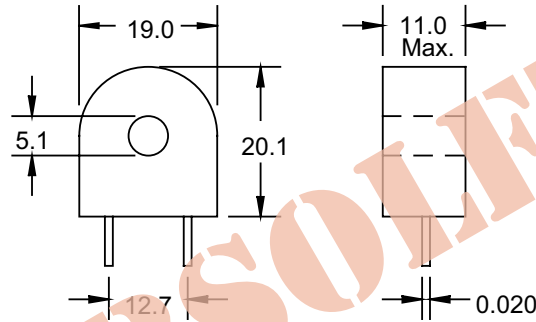
Special Features

- High accuracy
- Coil encapsulated in plastic case
- Fixed lead spacing

† RoHS Directive 2002/95/EC Jan 27 2003 including Annex.

7200 Series						
Part Number	I Range (A)	Freq. Range (KHz)	Load Resis. (Ω)	Sec. Turns	Sec. L (mH) Min.	Sec. DCR (Ω)
7201-RC	2 - 10	5 - 50	50	50	5	0.7
7202-RC	2 - 20	5 - 50	100	100	20	1.4
7203-RC	2 - 35	1 - 100	200	200	80	3.8

"-RC" suffix indicates RoHS compliance.



Dimensions: mm