




Features

- Snap-in POTS splitter installation
- Accepts 3611 type POTS splitters
-  Listed per UL 1863
- Indoor or outdoor applications

7043 Series - POTS Splitter Enclosure

Bourns® Model 7043 Series simplifies the installation of DSL systems where there are no vacant positions in the installed NID. Bourns® 3611x2 for ADSL2+ / VDSL snaps into the 7043 box at the subscriber premises. The weather-resistant enclosure is manufactured of high-impact resistant, ultraviolet desensitized, flame retardant material. A sectionalized grommet allows for wire entry and exit. The cover can be embossed with a company logo or other details.

How to Order

7043 - 0X - XX

Model Number Designator _____

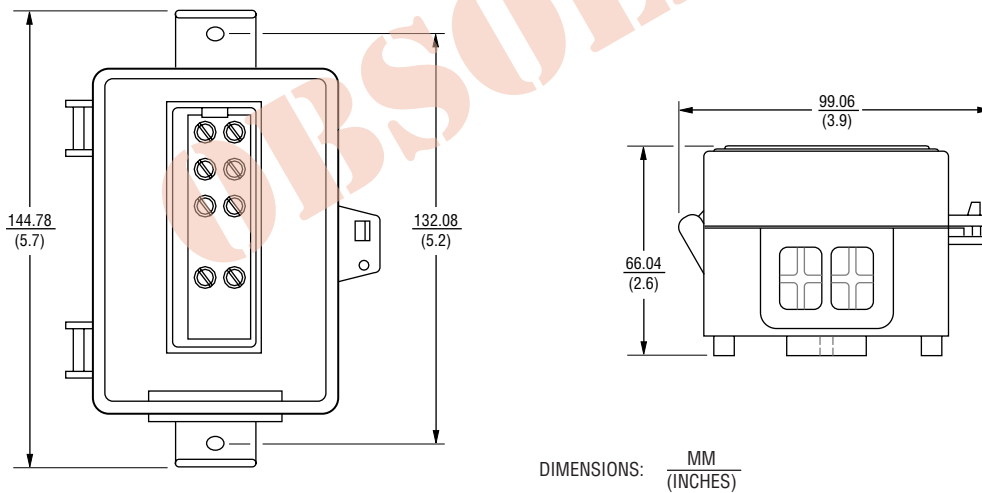
POTS Splitter Quantity _____

1 = One
0 = None (enclosure only)

POTS Splitter Type _____

P1 = ADSL2+ Part Number 3611A2
V1 = VDSL2 Part Number 3611V2
0 = None

Product Dimensions



BOURNS®

Asia-Pacific: Tel: +886-2 2562-4117 • Fax: +886-2 2562-4116

EMEA: Tel: +36 88 520 390 • Fax: +36 88 520 211

The Americas: Tel: +1-951 781-5500 • Fax: +1-951 781-5700

www.bourns.com

REV. G 04/18

Specifications are subject to change without notice.

The device characteristics and parameters in this data sheet can and do vary in different applications and actual device performance may vary over time. Users should verify actual device performance in their specific applications.