

Features

- Overvoltage/lightning protection to BELLCORE GR-1089
- Typical application is secondary protection on telecom line cards

4A08P-505-RC - Surge Line Protection Module

Matched Pair of Resistors

Electrical Characteristics

Resistance Values (R1 = R2)	10 - 100 Ω
Resistance Tolerance.....	±5 %
TCR	100 ppm/°C
Ratio Tolerance	±1 %
Temperature Range.....	-40 °C to +85 °C

Physical Characteristics

Body Style	Open Frame SIP
Substrate Material	96 % Alumina
Lead Frame Material	Copper, solder coated
Flammability	Conforms to UL94V-0

Functional Characteristics (per Bellcore GR-1089)

First Level Lightning Surge -

Resistors will remain within tolerance after testing.

1000 Volts Peak, 100 Amp Peak Current,	
Max. Rise/Min. Decay Time 10x1000 μs,	
60 Seconds Between Pulses:	
Number of Pulses	25 each resistor each polarity
.....	25 simultaneous pulses each polarity

2500 Volts Peak, 500 Amp Peak Current,	
Max. Rise/Min. Decay Time 2x10 μs,	
60 Seconds Between Pulses:	
Number of Pulses	10 simultaneous pulses each polarity

First Level AC Power Fault

Resistors will remain within tolerance after testing.

50 Vrms, 0.33 Amp Short Circuit Current,	
Duration.....	15 minutes
100 Vrms, 0.17 Amp Short Circuit Current,	
Duration.....	15 minutes
600 Vrms, 1.00 Amp Short Circuit Current:	
Duration.....	60 One-second pulses

Second Level Lightning Surge -

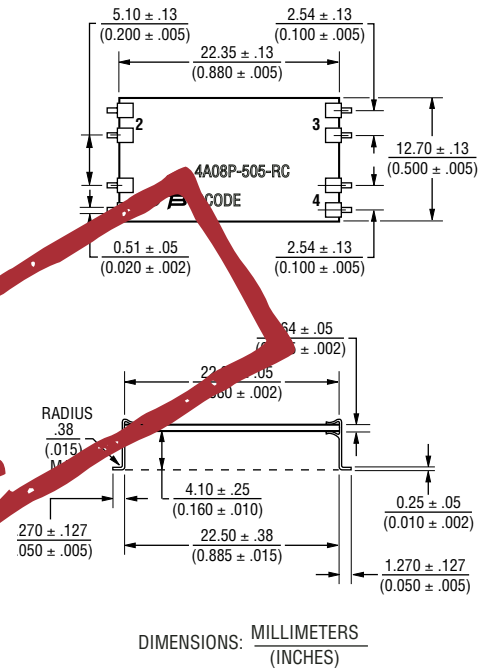
Resistor package must fail safely causing no fire, electrical, or fragmentation hazard.

5000 Volts Peak, 500 Amp Peak Current,	
Max. Rise/Min. Decay Time 2x10 μs:	
Number of Pulses	1 simultaneous each polarity

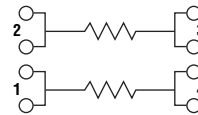
Second Level AC Power Fault -

Resistor package must fail safely causing no fire, electrical, or fragmentation hazard.

Product Dimensions



Electrical Schematic



How To Order

Model 4A 08 P - 505 - XXX

(4A = Surface Mount)

Number of Pins _____

Physical Configuration _____

Electrical Configuration _____
505 = Matched pair of resistors

Resistance Code _____
• 500 = 50 Ω



Reliable Electronic Solutions

Asia-Pacific: TEL +886- (0)2 25624117 • FAX +886- (0)2 25624116
 Europe: TEL +41-41 7685555 • FAX +41-41 7685510
 North America: TEL +1-909 781-5500 • FAX +1-909 781-5700
bourns.com

Specifications are subject to change without notice.