



Features

- Full-rate
- ADSL or G.Lite
- RJ-11 connector with removable pigtail
- Compact wall mount
- Ideal for small offices
- Meets ANSI T1.413 Issue 2

BOURNS®

3620AW – POTS Splitter/Filter

Bourns® Model 3620AW is a Full-Rate/G.Lite ADSL Filter and POTS Splitter designed for use inside the customer premises. The 3620AW is housed in an easy to install, small plastic enclosure with a removable pigtail. Used as an ADSL inline filter, the unit is connected in series with each phone in the residence to block high frequency data signals associated with ADSL services. For use as a POTS Splitter, the 3620AW has separate voice and data (modem) interfaces. Ideal for fax/scanner/copier machines.

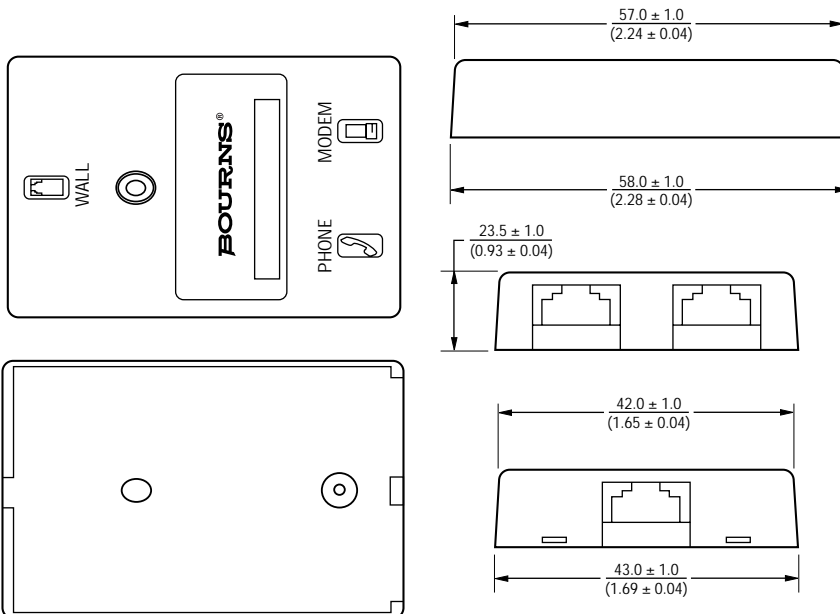
Characteristics

DC Loop Current	0-100 ma
DC Loop Voltage	0 to -60 V
DC Resistance	≤25 ohms
Insertion Loss	<1.0 dB (25 kHz -1.104 MHz)
Attenuation Distortion (Voice Band)	< +/- 0.5 dB
Delay Distortion (Voice Band)	<200 μs
Return Loss (Voice Band)	6 dB ERL; 5 dB SRL-Low 3.0 dB SRL-High
Longitudinal Balance, Two Port Technique, POTS to Line Port (U-R); Line Port to POTS	>53 dB @ 0.2 - 1 kHz >58 dB @ 3kHz
ADSL Band Attenuation	>65 dB @ 30 kHz-300 kHz >55 dB @ 300 kHz -1.104 MHz
Tip to Ring Capacitance (POTS Port)	<100 nf
Input Impedance (Loading to the ADSL Band)	<0.25 dB 30 kHz -1.104 MHz

How To Order

..... Part #3620AW

Product Dimensions



Reliable Electronic Solutions

Asia-Pacific:
 TEL +886-2 25624117
 FAX +886-2 25624116
Europe:
 TEL +41-41 7685555
 FAX +41-41 7685510
North America:
 TEL +1-909 781-5500
 FAX +1-909 781-5700
www.bourns.com

REV. A

Specifications are subject to change without notice.