



Features

- Fast and easy DSL installation
- Full-rate ADSL
- Service interoperability and compatibility
- Optimal data rates
- Multiple "Home Run" connections
-  UL Listed per 1863

 Model 3611 is currently available, although not recommended for new designs. Model **3611A2** is preferred.

3611 – ADSL Full-Rate POTS Splitter

Bourns 3611 ADSL POTS Splitter is designed to simplify the deployment of Full-Rate or G.Lite ADSL service at the customer premises. ANSI T1.413 compliant, the 3611 accepts the incoming ADSL service and filters off the voice (POTS) channel and provides a connection for DSL data services (ADSL modem). In the event of power loss, the passive filter design allows for lifeline POTS service.

The 3611 occupies only a single space in 7600 style Network Interface Devices (NIDs) or the Bourns 7043 enclosures. Fitted with screw terminals and flying leads, the 3611 can be installed in minutes.

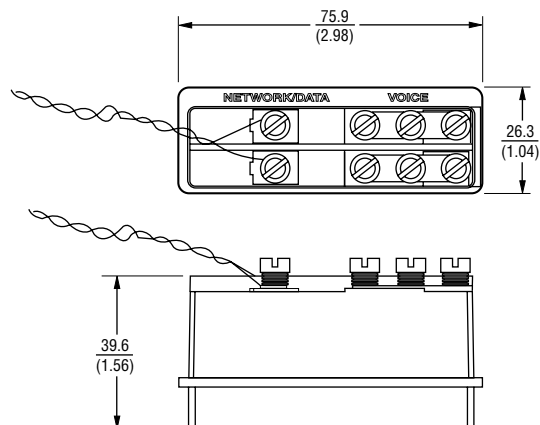
Characteristics

| | |
|--|---|
| DC Loop Current | 0-100 ma |
| DC Loop Voltage | 0 to -60 V |
| DC Resistance | ≤25 ohms |
| Insertion Loss | <1.0 dB (25 kHz -1.104 MHz) |
| Attenuation Distortion (Voice Band) | < +/- 0.5 dB |
| Delay Distortion (Voice Band) | <200 μs |
| Return Loss (Voice Band) | 6 dB ERL; 5 dB SRL-Low 3.0 dB SRL-High |
| Longitudinal Balance, Two Port Technique POTS to line port (U-P); Line port to POTS | >53 dB @ 0.2 - 1 kHz >58 dB @ 3kHz |
| ADSL Band Attenuation | >65 dB @ 30 kHz-300 kHz >55 dB @ 301 kHz -1104 MHz |
| Tip to Ring Capacitance (POTS Port) | <100 nf |
| Input Impedance (Loading to the ADSL Band) | <0.25 dB 30 kHz -1.104 MHz |

How To Order

..... Part #3611

Product Dimensions



Asia-Pacific:
TEL +886- (0)2 25624117
FAX +886- (0)2 25624116
Europe:
TEL +41-41 7685555
FAX +41-41 7685510
North America:
TEL +1-909 781-5500
FAX +1-909 781-5700
bourns.com