




Features

- Safe and reliable service
- Future expandability
- Fast deployment
- Easy field upgrades
- Optimal data rates
- Flexibility
-  UL Listed (File: E116756)



Model 3610A is currently available, although not recommended for new designs. Models **3610A2** and **3610A2-IDC** are preferred.

3610A – ADSL Full Rate POTS Splitter

Bourns 3610A ADSL POTS Splitter is designed to simplify the deployment of Full-Rate or G.Lite ADSL service at the customer's premises. ANSI T1.413 compliant, the 3610A accepts the incoming ADSL service, filters off the voice (POTS) channels and provides a connection for DSL data services (ADSL modem). In the event of power loss, the passive filter design allows for lifeline POTS service.

Utilizing a footprint similar to Bourns conventional station protectors, the 3610A occupies only a single space in Bourns weather resistant Network Interface Devices (NIDs). Fitted with screw terminals and flying leads, the 3610A can be installed in minutes.

When the 3610A is installed in a NID enclosure and combined with a Bourns Multi-Stage (MSP®) Station Protector, Sealed Switching Jack, and optional IDC expansion bridge, Bourns provides a complete ADSL solutions package at the customer premise.

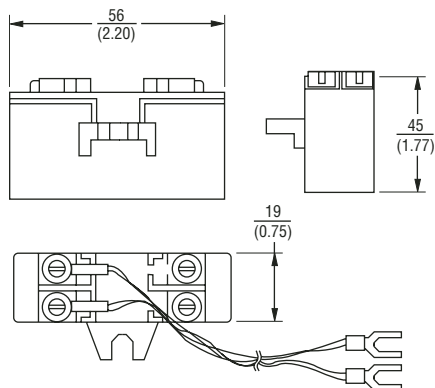
Characteristics

DC Loop Current	0-100 ma
DC Loop Voltage	0 to -60 V
DC Resistance	≤25 ohms
Insertion Loss	<1.0 dB (25 kHz -1.104 MHz)
Attenuation Distortion (Voice Band)	< +/- 0.5 dB
Delay Distortion (Voice Band)	<200 μs
Return Loss (Voice Band)	6 dB ERL; 5 dB SRL-Low; 3.0 dB SRL-High
Longitudinal Balance, Two Port Technique POTS to line port (U-R); Line port to POTS	>53 dB @ 0.2 - 1 kHz; >58 dB @ 3kHz
ADSL Band Attenuation	>65 dB @ 30 kHz-300 kHz; >55 dB @ 300 kHz -1104 kHz
Tip to Ring Capacitance (POTS Port)	<100 nF
Input Impedance (Loading to the ADSL Band)	<0.25 dB 30 kHz -1.104 MHz

How To Order

..... Part #3610A

Product Dimensions



DIMENSIONS: $\frac{\text{MILLIMETERS}}{\text{(INCHES)}}$



Asia-Pacific:

TEL +886-2 25624117
FAX +886-2 25624116

Europe:

TEL +41-41 7685555
FAX +41-41 7685510

The Americas:

TEL +1-951-781-5500
FAX +1-951 781-5700

www.bourns.com