

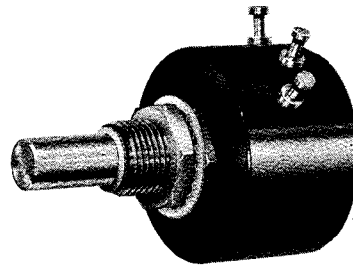


Model 3437
 1½" Diameter, Single-Turn Bushing Mount
 Wirewound Element

FEATURES

- Low cost — Industrial design.
- $\pm 0.5\%$ linearity.
- Exclusive SILVERWELD® process eliminates vulnerable single wire termination.
- Dual collector pick-off assures outstanding vibration and shock performance.
- Housing: moisture resistant, thermo-setting plastic.
- 1 watt power rating at 40°C.
- Stainless steel shaft.

Actual Size



STANDARD RESISTANCES

Resistance (Ohms)	Part Number*	Resolution (Percent)
50	3437S-1-500	.371
100	3437S-1-101	.285
200	3437S-1-201	.233
500	3437S-1-501	.174
1K	3437S-1-102	.143

*The last three digits of the part number represent the resistance value in standard code.

Resistance (Ohms)	Part Number*	Resolution (Percent)
2K	3437S-1-202	.111
5K	3437S-1-502	.103
10K	3437S-1-103	.095
20K	3437S-1-203	.071
50K	3437S-1-503	.054

Available with stops — mechanical angle $325^\circ \pm 5^\circ$ as P/N 3437S-12-(RC)

Model 3437 Precision Potentiometer

SPECIFICATIONS

ELECTRICAL CHARACTERISTICS

Resistance Range	50 to 50,000 ohms
Resistance Tolerance	±5%
Linearity (Independent)	0.5% maximum
Effective Electrical Angle	320° ±5°
Noise	100Ω maximum
Power Rating	
40°C	1 watt
80°C	0 watt
Dielectric Strength	MIL-R-12934
Sea Level	500 volts AC minimum
Insulation Resistance, 500 volts DC	1,000 megohms minimum

ENVIRONMENTAL CHARACTERISTICS

Operating Temperature Range	-15° to +80°C
Temperature Coefficient of wire	20 ppm/°C maximum

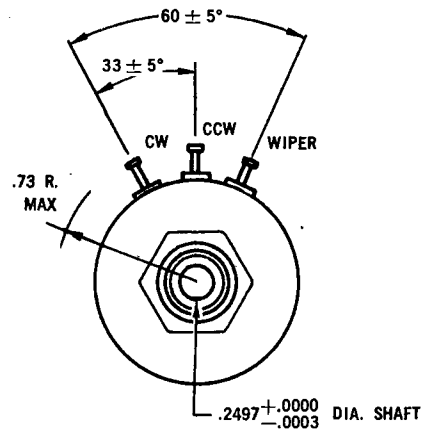
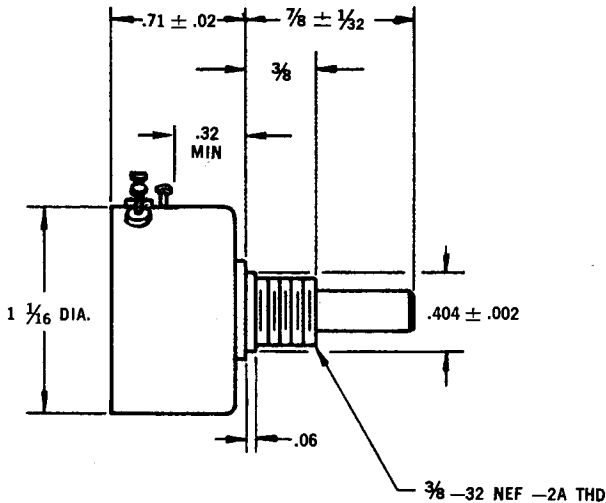
Vibration	10 to 500 cps, 10Gs
Shock	15Gs
Load Life	1,000 hours
Resistance Shift	5% maximum

MECHANICAL AND PHYSICAL CHARACTERISTICS

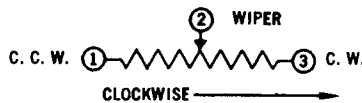
Mechanical Angle	Continuous
Rotational Life	200,000 shaft revolutions
Torque	
Starting	2.0 oz.-in. maximum
Running	2.0 oz.-in. maximum
Weight	Approximately 1 oz.
Terminals	Gold-plated turrets
Marking	Manufacturer's name and part number, resistance value and tolerance, linearity tolerance, wiring diagrams and date code.

Specifications are subject to change without notice.

3437



NOTE:
LOCKWASHER & HEX NUT TO BE
SUPPLIED WITH UNIT.



TOLERANCES: XX=±.010
XXX=±.005 EXCEPT
WHERE NOTED

