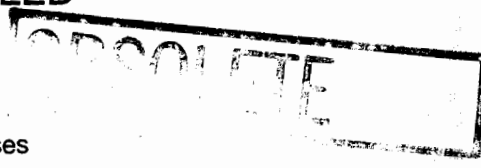


6MM SQUARE PANEL CONTROL CONDUCTIVE PLASTIC, SEALED

- Conductive plastic
- PC board and bushing mount
- Plastic bushing and plastic shaft
- Withstands typical industrial washing processes
- Compact package saves board and panel space



Model 3370

B® Panel Controls

FOR DIMENSIONAL DRAWINGS, SEE FOLLOWING PAGE.

Electrical Characteristics

Standard Resistance Range	Linear	1K-ohms to 1 megohm
Total Resistance Tolerance	Linear Tapers	±20%
Independent Linearity		±5%
Absolute Minimum Resistance		2 ohms maximum
Effective Electrical Angle		280° nominal
Contact Resistance Variation		1 ohm or 1% (whichever is greater)
Dielectric Withstanding Voltage	Sea Level	900 VAC minimum
	70,000 Feet	350 VAC minimum
Insulation Resistance		1,000 megohms minimum
Power Rating @ 70°C (Derate to 0 at 125°C - Voltage Limited By Power Dissipation or 200 VAC, Whichever is Less)		.125 watts

Environmental Characteristics

Storage Temperature	-55°C to +125°C
TCR (Over Storage Temperature Range)	±1,000ppm/°C
Vibration	30G
Total Resistance Shift	±1% maximum
Voltage Ratio Shift	±1% maximum
Shock	100G
Total Resistance Shift	±1% maximum
Voltage Ratio Shift	±1% maximum
Load Life (1,000 Hours)	±10% TRS maximum
Rotational Life-No Load (10,000 Cycles)	±5% TRS maximum
CRV @ 5,000 Cycles	±2%
Moisture Resistance	±5% TRS
Seal Test	85° Fluorinert*

Mechanical Characteristics

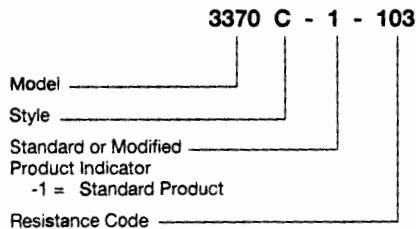
Stop Strength	5.65 Ncm
Mechanical Angle	310° nominal
Torque	
Running	0.14 to 1.41 Ncm
Starting	0.35 to 1.41 Ncm
Weight	4.5 grams
Flammability	Conforms to UL94V-0
Epoxy	Conforms to UL94V-1
Terminals	Solderable pins
Marking	Manufacturer's symbol and model number, terminal style, date code and resistance code

STANDARD RESISTANCE TABLE

Resistance (Ohms)	Resistance Code
1,000	102
2,000	202
5,000	502
10,000	103
20,000	203
50,000	503
100,000	104
200,000	204
500,000	504
1,000,000	105

Popular values listed in boldface. Special resistances available.

HOW TO ORDER



Consult factory for other available options.

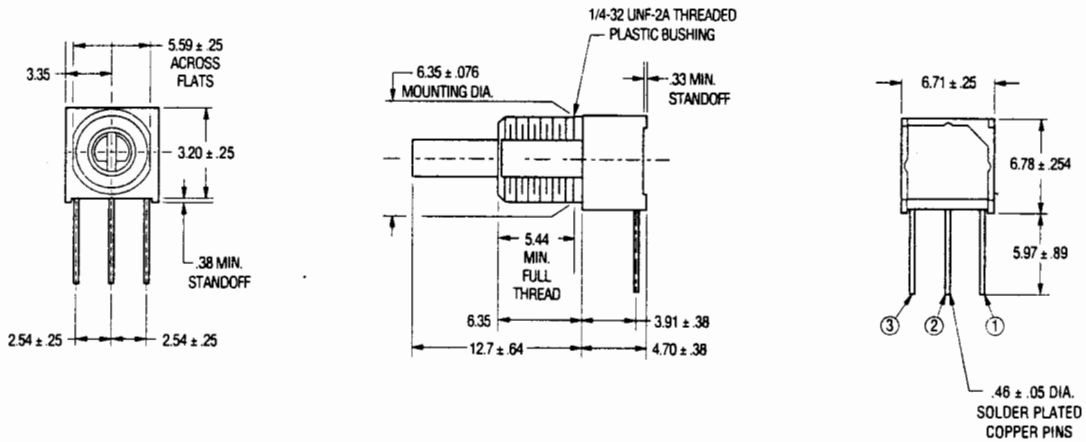
*Fluorinert® is a registered trademark of 3M Co. Specifications are subject to change without notice.

DIMENSIONAL DRAWINGS AND TOLERANCES

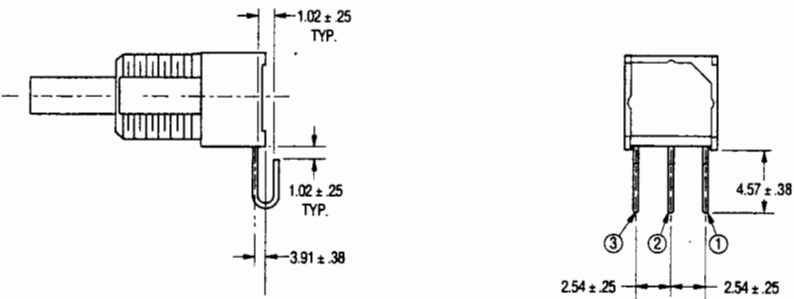
Model 3370

FOR PRODUCT SPECIFICATIONS, SEE PRIOR PAGE.

COMMON DIMENSIONS 3370C



3370J



3370Y

