

You can now specify a Bourns trimmer potentiometer for those cost sensitive applications. Take advantage of conductive plastic technology for fast accurate and stable circuit trimming. The Bourns Model 3355 is also a form, fit, and vastly improved function replacement for popular carbon economy trimmers.



MODEL 3355
 SINGLE TURN
 CONDUCTIVE PLASTIC
 ECONOMY TRIMMER

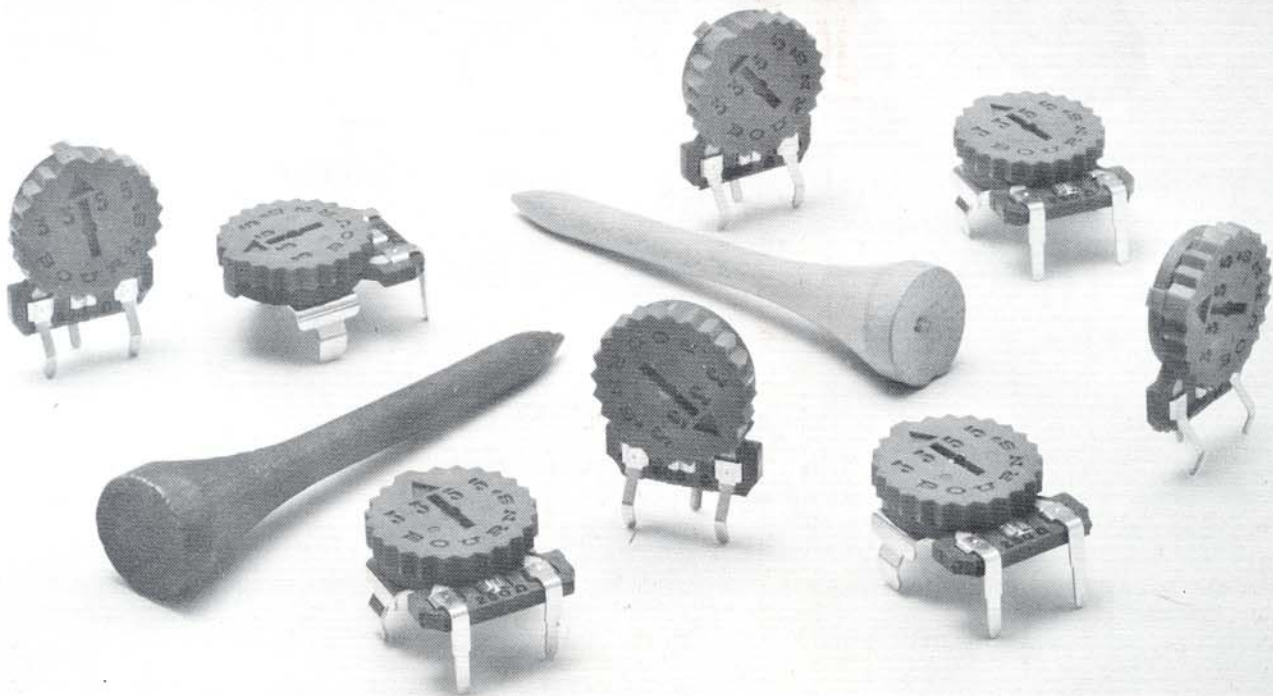
FEATURES:

- Available from 100 ohms to 5 megohms.
- Resistance tolerance $\pm 20\%$.
- Rated 0.25 watt maximum at 70°C.
- Tempco less than ± 500 PPM/°C.
- Flame retardant construction meets UL94V-1.
- Integral thumbwheel is standard.
- Board wash capability.
- Adjustability 0.1%.

OBSOLETE 7/79

STANDARD RESISTANCES

TOP ADJUSTMENT Part Numbers				SIDE ADJUSTMENT Part Numbers			
Resistance (ohms)	Standard Thumbwheel	Optional Thumbwheel with Hex	Optional Smooth Wheel	Resistance (ohms)	Standard Thumbwheel	Optional Thumbwheel with Hex	Optional Smooth Wheel
100	3355U-1-101	3355U-1-101TH	3355U-1-101S	100	3355X-1-101	3355X-1-101TH	3355X-1-101S
250	1-251	1-251TH	1-251S	250	1-251	1-251TH	1-251S
500	1-501	1-501TH	1-501S	500	1-501	1-501TH	1-501S
1,000	1-102	1-102TH	1-102S	1,000	1-102	1-102TH	1-102S
2,500	1-252	1-252TH	1-252S	2,500	1-252	1-252TH	1-252S
5,000	1-502	1-502TH	1-502S	5,000	1-502	1-502TH	1-502S
10,000	1-103	1-103TH	1-103S	10,000	1-103	1-103TH	1-103S
25,000	1-253	1-253TH	1-253S	25,000	1-253	1-253TH	1-253S
50,000	1-503	1-503TH	1-503S	50,000	1-503	1-503TH	1-503S
100,000	1-104	1-104TH	1-104S	100,000	1-104	1-104TH	1-104S
250,000	1-254	1-254TH	1-254S	250,000	1-254	1-254TH	1-254S
500,000	1-504	1-504TH	1-504S	500,000	1-504	1-504TH	1-504S
1,000,000	1-105	1-105TH	1-105S	1,000,000	1-105	1-105TH	1-105S
2,500,000	1-255	1-255TH	1-255S	2,500,000	1-255	1-255TH	1-255S
5,000,000	1-505	1-505TH	1-505S	5,000,000	1-505	1-505TH	1-505S



**SINGLE TURN
CONDUCTIVE PLASTIC
ECONOMY TRIMMER**

MODEL 3355

ELECTRICAL CHARACTERISTICS

Standard Resistance Range (see chart on front)	100 ohms to 5 megohms
Resistance Tolerance	± 20%
Adjustability:	
Voltage Ratio	± 0.1% maximum
Resistance	± 0.2% maximum
Contact Resistance Variation	1% maximum
Absolute Minimum Resistance	2 ohms maximum
Effective Electrical Angle	.240° ± 10°
Voltage Coefficient	.08%/Volt maximum

ENVIRONMENTAL CHARACTERISTICS

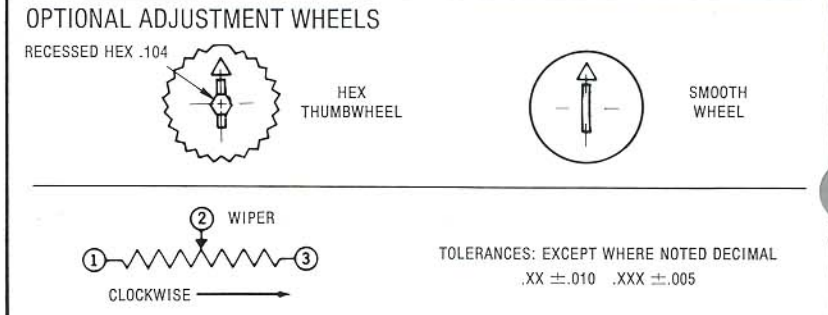
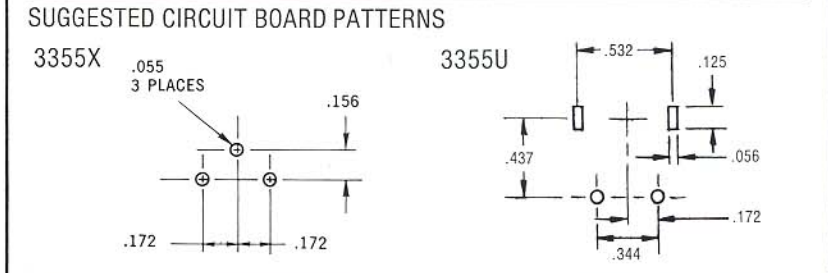
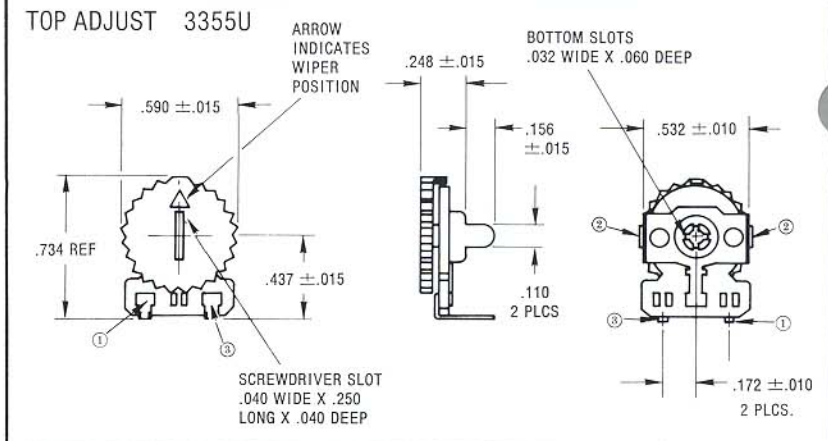
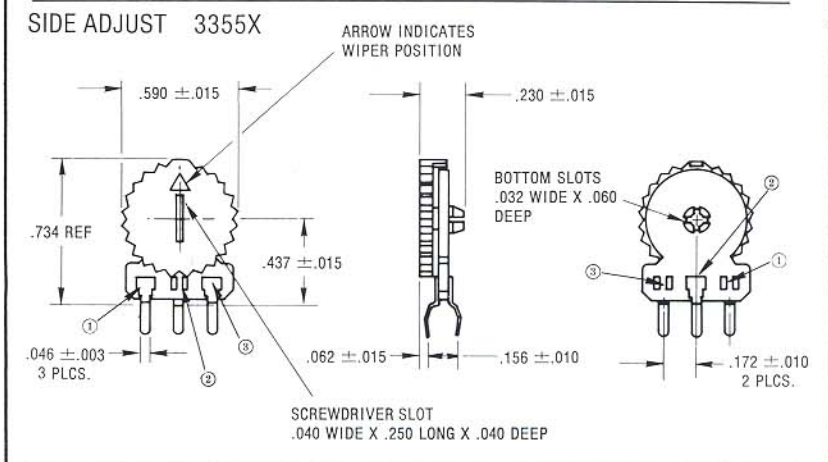
Power Ratings:	
25°C	0.50 watt
70°C	0.25 watt
100°C	0 watt
Operating Temperature Range 0°C to 100°C	
Temperature Coefficient 500 PPM/°C maximum	
Humidity, 24 hours at 95%RH Resistance shift ± 7.5% maximum	
Vibration 30 g's	
Contact Bounce	0.1 millisecond maximum
Shock 100 g's	
Contact Bounce	0.1 millisecond maximum
Load Life 100 hours, 70°C, ¼ W.	
Resistance Shift	± 5% maximum
Mechanical Life 200 Cycles without discontinuity	
Flammability Meets UL 94V-1	
Solvent Resistance Withstands most cleaning solvents and detergents	
Resistance Shift	± 5% maximum

PHYSICAL CHARACTERISTICS

Mechanical Rotation	.260° ± 10°
Markings	Manufacturer's name, model number, resistance value
Appearance	Legible markings, no physical defects
Mechanical Stops	Solid
Adjustment Torque	.3 oz.-in. maximum
Weight	Approximately 1.3 grams
Terminals	Solderable snap-in pins

*The precision with which the output voltage ratio or output resistance of a device can be set to the desired value.

Blue is the standard color on all adjustment wheels. Optional colors (available only on the Standard Thumbwheel style) are: Black, White, Violet, Green, Yellow, Orange, Red and Brown. Consult the factory for ordering these optional colors.



OBSOLETE 7/79

BOURNS
INC.

TRIMPOT PRODUCTS DIVISION
1200 COLUMBIA AVENUE
RIVERSIDE, CALIFORNIA 92507
PHONE 714 781-5322

Specifications subject to change without notice.