



Model 3353
BOURNS[®] COMPOSITION
VARIABLE RESISTOR

FEATURES

- Low Cost
- Thumbwheel Adjustment
- Power rating: 1/3 watt @ 60°C
- Good operational stability in humid environments
- Compatible with standard circuit-board cleaning processes
- Ceramic substrate
- 0°C to +100°C operating temperature range
- Maximum voltage: 350VDC

Actual Size

3353P
(Horizontal Mount)3353W
(Vertical Mount)

OBSOLETE 1978

STANDARD RESISTANCES

Resistance (Ohms)	PART NUMBERS*	
	3353P (Horizontal Mount)	3353W (Vertical Mount)
500	3353P-1-501	3353W-1-501
1,000	3353P-1-102	3353W-1-102
2,500	3353P-1-252	3353W-1-252
5,000	3353P-1-502	3353W-1-502
10,000	3353P-1-103	3353W-1-103
25,000	3353P-1-253	3353W-1-253
50,000	3353P-1-503	3353W-1-503

*The last three digits of the part number represent the resistance in standard code.

Resistance (Ohms)	PART NUMBERS*	
	3353P (Horizontal Mount)	3353W (Vertical Mount)
100,000	3353P-1-104	3353W-1-104
250,000	3353P-1-254	3353W-1-254
500,000	3353P-1-504	3353W-1-504
1 Meg	3353P-1-105	3353W-1-105
2.5 Meg	3353P-1-255	3353W-1-255
5 Meg	3353P-1-505	3353W-1-505

Bourns® Variable Resistor Model 3353

SPECIFICATIONS

ELECTRICAL CHARACTERISTICS

Standard Resistance Range	500 to 5,000,000 ohms
Resistance Tolerance	±20% through 1 megohm, ±30% above
Resistance Taper	Linear
Absolute Minimum Resistance	Less than 2.0%
Resistance Change After Solvent Bath in FREON® TFE or Trichloroethane	Less than 1.0%

ENVIRONMENTAL CHARACTERISTICS

Power Ratings: (Maximum Voltage 350 VDC)	
60°C Ambient	1/3 watt
100°C Ambient	0 watt
Operating Temperature Range	0 to +100°C
Temperature Coefficient, Maximum	0.13%/°C, 0° to +70°C

Humidity	Less than ±12.5% change in total resistance after 24 hours at 95% relative humidity, 40°C
Load Life	500 hours at 60°C
Resistance Shift, Typical	10%
Mechanical Life	500 cycles
Resistance to Soldering Heat	Less than 1.0% resistance change

PHYSICAL CHARACTERISTICS

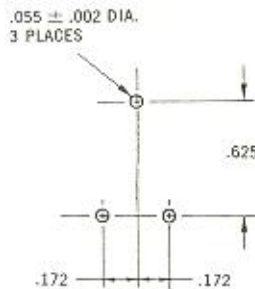
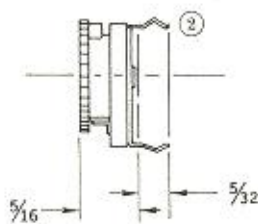
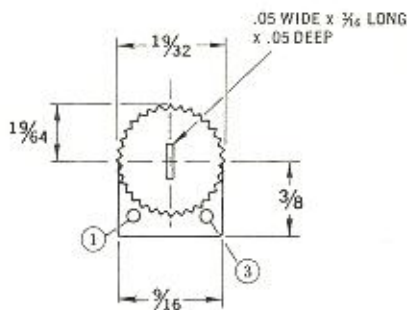
Torque	0.5 to 6.0 in.-oz.
Markings	Manufacturer's name, model number and resistance value
Mechanical Rotation	300° ±10°
Stop Strength	12 oz.-in. minimum

*Registered trademark of DuPont Co.

Specifications are subject to change without notice.

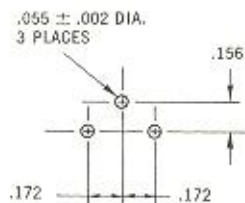
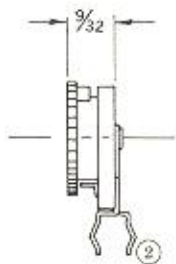
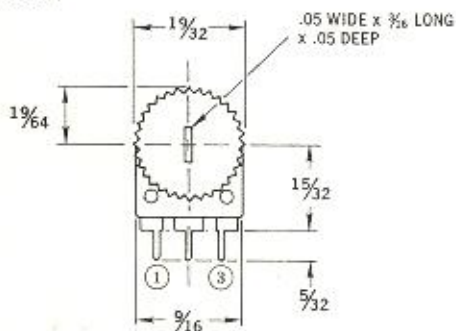
3353P

OBSOLETE 1978

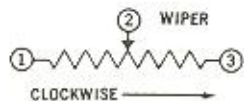


SUGGESTED BOARD LAYOUT

3353W



SUGGESTED BOARD LAYOUT



TOLERANCES: EXCEPT WHERE NOTED
DECIMALS: .XX ±.010, .XXX ±.005
FRACTIONS: ±1/4

BOURNS

BOURNS, INC., TRIMPOT PRODUCTS DIVISION
1200 COLUMBIA AVENUE, RIVERSIDE, CALIFORNIA 92507