



TRIMPOT® Potentiometer
Model 3322
Single-Turn, High Performance
Cermet Element

FEATURES

- Bourns Model 3322 is listed on the DESC QPL for style RJ50, Mil-R-22097.
- Space saving size: 0.25" dia. x 0.24" high.
- Low temperature coefficient: ± 100 ppm/ $^{\circ}\text{C}$ over entire temperature and resistance range.
- 0.5 watt power rating at 85 $^{\circ}\text{C}$.
- Extended temperature range: -65° to $+175^{\circ}\text{C}$.
- Mil Spec immersion seal.

Actual Size



3322 P

STANDARD RESISTANCES

RESISTANCE (OHMS)	PART NUMBERS*
10	3322P-1-100
20	3322P-1-200
50	3322P-1-500
100	3322P-1-101
200	3322P-1-201
500	3322P-1-501
1,000	3322P-1-102
2,000	3322P-1-202

SPECIAL RESISTANCES AVAILABLE FROM 10 TO 2,000,000 OHMS.

RESISTANCE (OHMS)	PART NUMBERS*
5,000	3322P-1-502
10,000	3322P-1-103
20,000	3322P-1-203
50,000	3322P-1-503
100,000	3322P-1-104
200,000	3322P-1-204
500,000	3322P-1-504
1,000,000	3322P-1-105

*The last three digits of the part number represent the resistance in standard code.

OBSOLETE

Model 3322 TRIMPOT® Potentiometer

SPECIFICATIONS

ELECTRICAL CHARACTERISTICS

Standard Resistance Range (see chart on front)	10 to 1,000,000 ohms
Resistance Tolerance*	10% standard, closer tolerances available
Absolute Minimum Resistance*	1 ohm
Continuity*	Maintained for full mechanical range
Contact Resistance Variation Maximum*	3 ohms or 3%, whichever is greater
Insulation Resistance, 500 volts DC	1,000 megohms minimum

ENVIRONMENTAL CHARACTERISTICS

Power Ratings:	
85°C	0.5 watt or 300 volts maximum
175°C	0 watt
Operating Temperature Range	-65° to +175°C
Temperature Coefficient per MIL-R-22097*	Maximum ±100 ppm/°C all resistances
Humidity, MIL-STD-202, Method 106	10 megohms minimum insulation resistance after removal from chamber
Vibration	Exceeds MIL-R-22097, 30Gs
Contact Bounce	0.1 millisecond maximum
Shock	Exceeds MIL-R-22097, 100Gs
Contact Bounce	0.1 millisecond maximum
Sand and Dust	Meets MIL-E-5272, Procedure 1

Salt Spray	Meets MIL-R-22097
Fungus	Materials meet MIL-S-5272
Load Life	1,000 hours per MIL-R-22097
Mechanical Life	200 cycles without discontinuity
Effective Electrical Rotation	240° ±25°
Dielectric Strength	MIL-R-22097
Room Conditions	600 volts AC minimum
80,000 Ft.	250 volts AC minimum

PHYSICAL CHARACTERISTICS

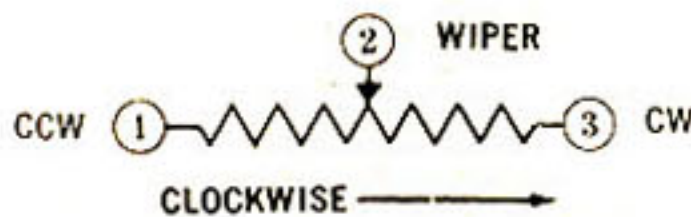
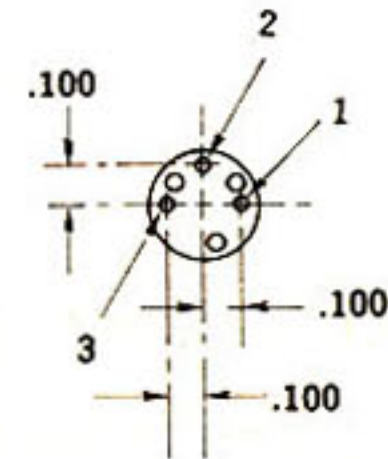
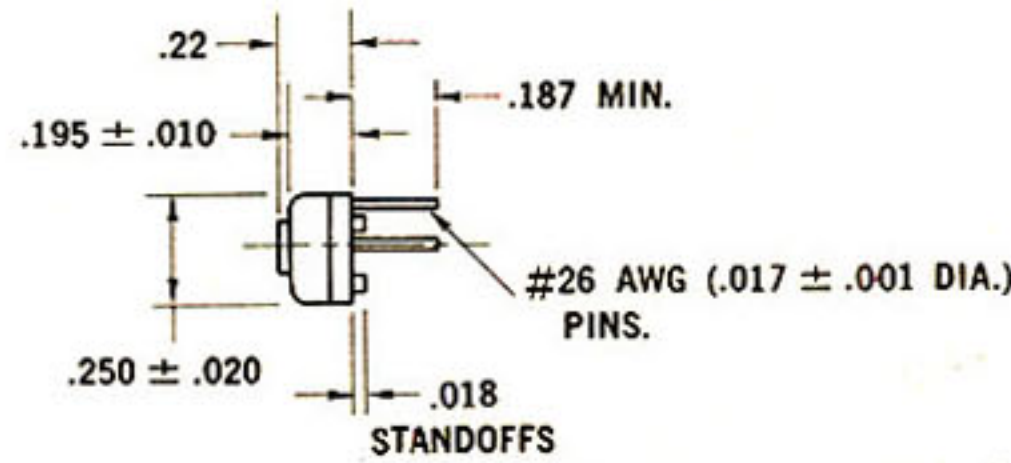
(85°C) Immersion Leak Test*	No leaks
Markings*	Date code, resistance, wiring diagram and manufacturer's model number
Appearance*	Legible markings, no physical defects
Mechanical stops (single turn)*	Solid
Stop Strength	4.0 oz.-in.
Shaft Torque	2.0 oz.-in. maximum
Weight	Approximately 0.08 oz.
Terminals	Tinned Pins

*Inspection Note: Applicable 100% or statistical sampling inspection performed to insure highest quality.
Specifications are subject to change without notice.

3322P

OBSOLETE

ELECTRICAL ADJUSTMENT,
.110 DIA. WITH .025 WIDE X
.040 DEEP SLOT.



TOLERANCE: EXCEPT WHERE NOTED : .XX ±.015 .XXX ±.005



BOURNS, INC., TRIMPOT PRODUCTS DIVISION
1200 COLUMBIA AVENUE, RIVERSIDE, CALIFORNIA 92507