

# BOURNS

## Model 3316

Bourns® Trimming Potentiometer

# 6MM ROUND / SINGLE-TURN / CARBON COMMERCIAL / OPEN FRAME

- Cross slot rotor design suitable for automatic adjustment equipment
- Board retention feature
- Dust resistant/splash resistant cover
- PC board stand-offs
- Front and top adjust styles

**OBSOLETE 1996**

### Electrical Characteristics

Standard Resistance Range  
..... 100 to 1 megohm  
(see standard resistance table)  
Resistance Tolerance ..... ±25% std.  
End Resistance  
..... 2% max. (≤2K = 30 ohms)  
Contact Resistance Variation  
..... 3% max.  
Resolution ..... Infinite  
Adjustment Angle ..... 215° nom.

### Environmental Characteristics

Power Rating (100 volts max.)  
70°C ..... 0.1 watt  
Temperature Range  
..... -25°C to +100°C  
Temperature Coefficient  
..... ±1000ppm/°C  
Load Life  
..... 1,000 hours 0.1 watt @ 70°C  
(10% ΔTR)

### Physical Characteristics

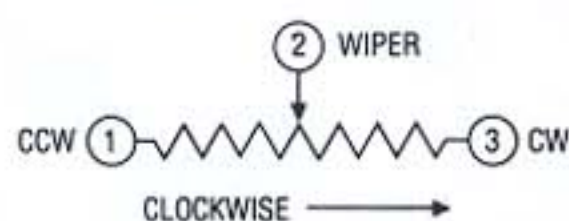
Torque (Operating)  
..... 4.5 oz-in. max.  
Stop Strength  
..... 6.5 oz-in. min.  
Terminals ..... Solderable pins  
Marking ..... Manufacturer's  
trademark, resistance code  
Standard Packaging  
..... 300 pcs. per bag  
Aqueous cleaning not recommended

### STANDARD RESISTANCE TABLE

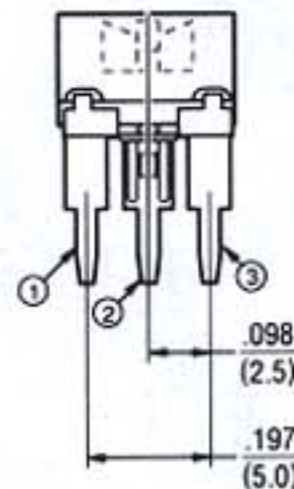
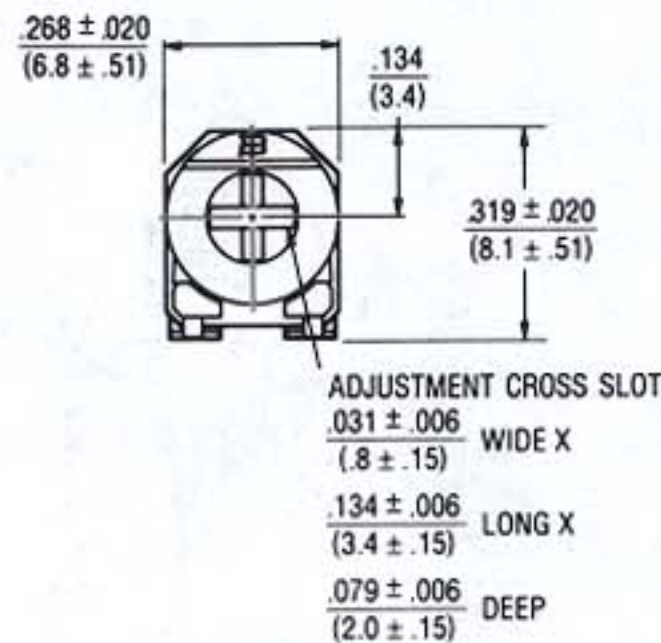
Resistance (Ohms)	Resistance Code
100	101
200	201
500	501
1,000	102
2,000	202
5,000	502
10,000	103
20,000	203
25,000	253
50,000	503
100,000	104
200,000	204
250,000	254
500,000	504
1,000,000	105

TOLERANCES: ±  $\frac{.012}{(0.30)}$  EXCEPT WHERE NOTED

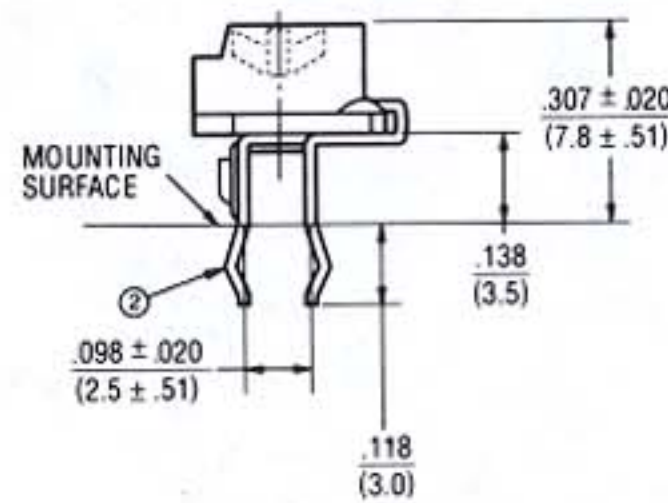
DIMENSIONS:  $\frac{IN.}{(MM)}$



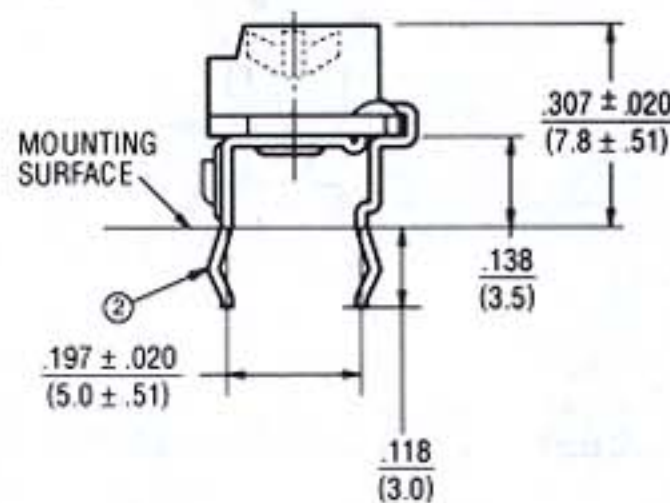
### TOP ADJUST



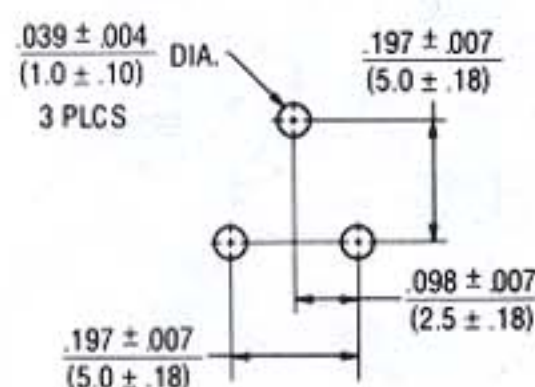
### 3316P



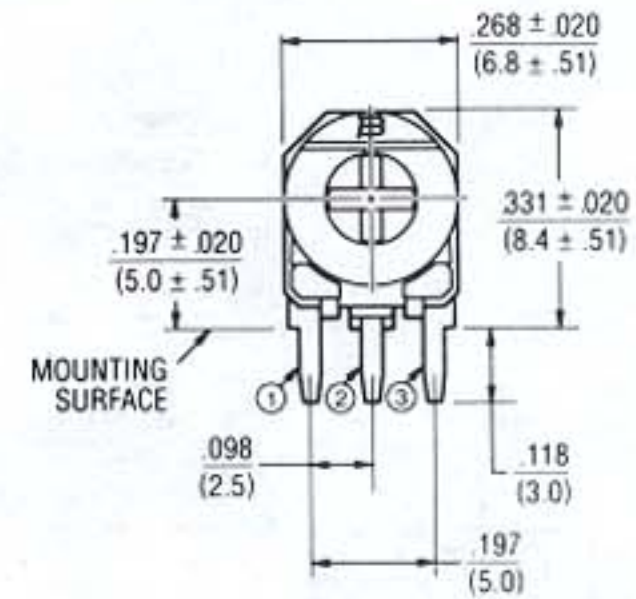
### 3316F



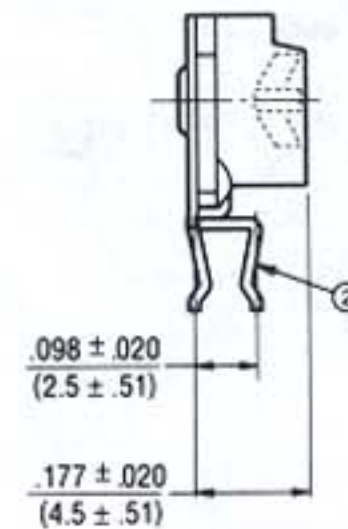
### SUGGESTED PWB LAYOUT - STYLE F



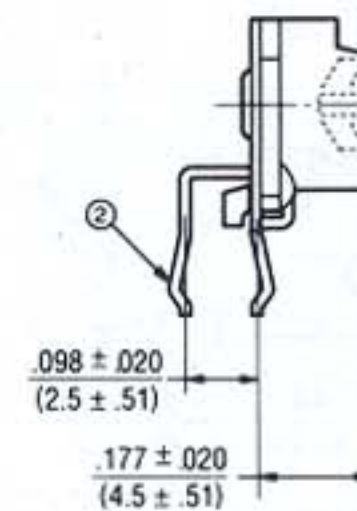
### FRONT ADJUST



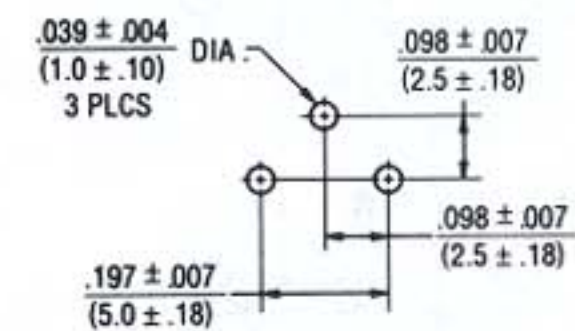
### 3316W



### 3316K



### SUGGESTED PWB LAYOUT - STYLES K,P,W



### HOW TO ORDER

**3316 W - 1 - 103**

Model \_\_\_\_\_  
Style \_\_\_\_\_  
Standard Product \_\_\_\_\_  
Resistance Code \_\_\_\_\_

Other rotor colors available, consult factory.  
Specifications are subject to change without notice.