



Model 3069
Commercial E-Z-TRIM® Potentiometer
Cermet Element

FEATURES

- Mil-Spec immersion seal gives trouble-free operation after printed circuit board processes
- Low temperature coefficient: ± 100 ppm/ $^{\circ}\text{C}$ over entire resistance and temperature range
- Stable, infinite resolution PALIRIUM® Cermet element and outstanding $\pm 0.05\%$ settability
- Tinned pins for compatibility with automated and hand soldering methods
- .021 diameter pins alleviate complicated circuit board fabrication
- Space saving size: 0.75" x 0.35" x 0.25"
- Date code traceability
- Wiper assembly idles at both ends of travel, preventing damage from forced adjustment

Actual Size

3069P
Printed Circuit Pins

OBSOLETE 1982

STANDARD RESISTANCES

Resistance (Ohms)	Part Numbers*
	3069P Printed Circuit Pins
10	3069P-1-100
20	3069P-1-200
50	3069P-1-500
100	3069P-1-101
200	3069P-1-201
500	3069P-1-501
1,000	3069P-1-102
2,000	3069P-1-202
5,000	3069P-1-502

SPECIAL RESISTANCES AVAILABLE FROM 10 OHMS TO 2 MEGOHMS.

Resistance (Ohms)	Part Numbers*
	3069P Printed Circuit Pins
10,000	3069P-1-103
20,000	3069P-1-203
50,000	3069P-1-503
100,000	3069P-1-104
200,000	3069P-1-204
500,000	3069P-1-504
1,000,000	3069P-1-105
2,000,000	3069P-1-205

*The last three digits of the part number represent the resistance in standard code.

Model 3069 E-Z-TRIM® Potentiometer

SPECIFICATIONS

ELECTRICAL CHARACTERISTICS

Standard Resistance Range	10 ohms to 2 megohm
Resistance Tolerance*	±10% standard, closer tolerances available
Absolute Minimum Resistance*	2.0% or 1.0 ohm, whichever is greater
Continuity*	Maintained for full mechanical range
Insulation Resistance, 500 volts DC	100 megohms minimum
Resolution	Infinite

ENVIRONMENTAL CHARACTERISTICS

Power Ratings:	
25°C	0.75 watt
125°C	0 watt
Operating Temperature Range	-55 to +125°C
Temperature Coefficient	±100 ppm/°C all resistances maximum
Humidity, MIL-STD-202, Method 106	20 megohms minimum insulation resistance after removal from chamber
Seal*	Mil-Spec immersion
Vibration	20G
Contact Bounce	0.1 millisecond maximum
Wiper Shift, maximum	2.0%

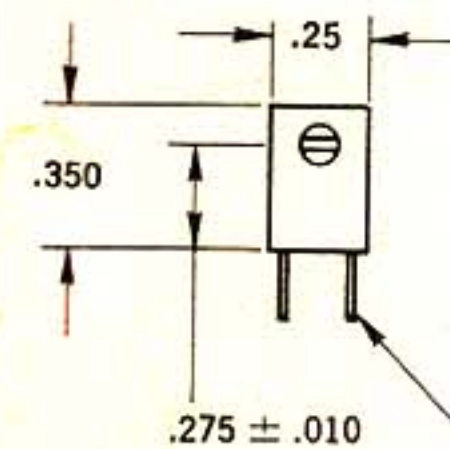
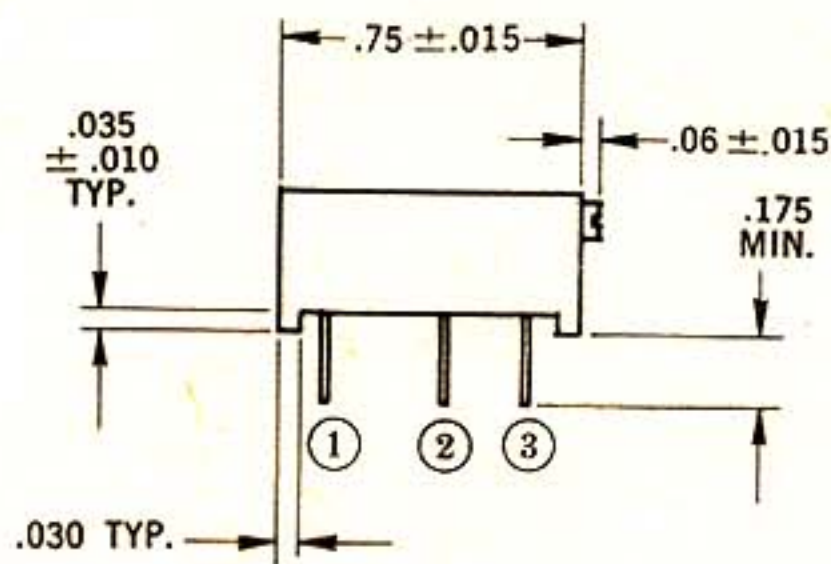
Shock	50G
Contact Bounce and Wiper Shift	Same as Vibration
Load Life	1000 hours 0.75 watt at 25°C
Mechanical Life	200 cycles without discontinuity
Dielectric Strength	
Room Conditions	1000 volts AC
80,000 feet (0.8" hg)	250 volts AC

PHYSICAL CHARACTERISTICS

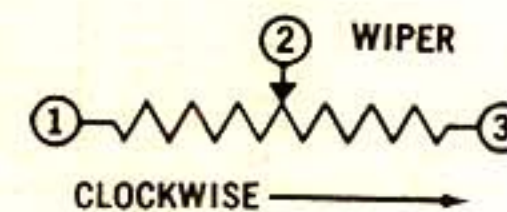
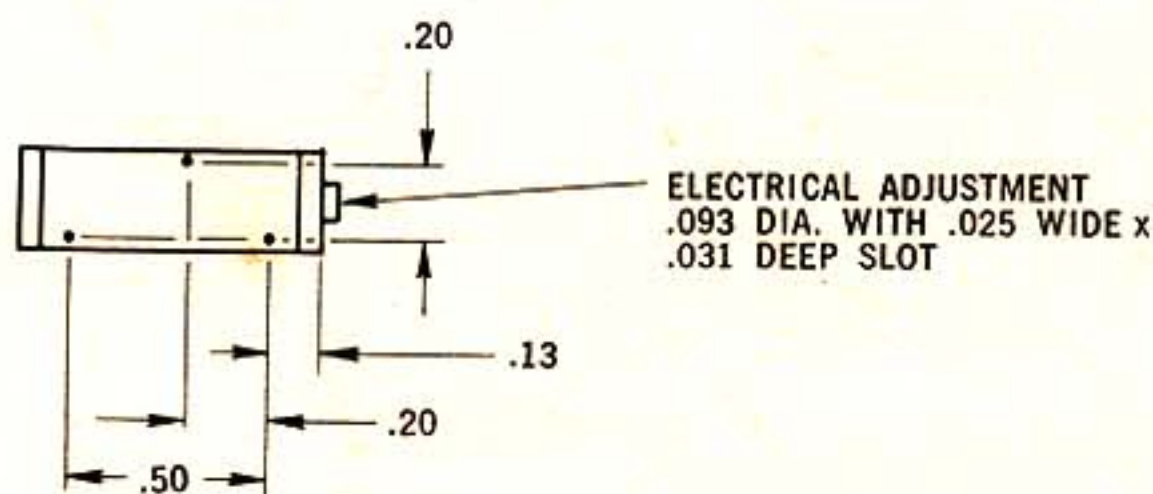
Shaft Torque*	5.0 oz.-in. maximum
Markings*	Manufacturer's name, wiring diagram, date code, resistance and manufacturer's part number (customer's part number optional)
Appearance*	Legible markings, no physical defects
Mechanical Adjustment*	20 turns nominal
Mechanical Stops*	Wiper assembly idles
Weight	Approximately 0.1 oz.
Terminals	Printed circuit pins
*Inspection Note: 100% or statistical sampling inspection performed to insure highest quality.	
Specification Note: Closer performance tolerances can be supplied upon request. Specifications are subject to change without notice.	

3069 P

OBSOLETE 1982



#24 AWG. (.021 ± .001 DIA.) PINS



TOLERANCES: EXCEPT WHERE NOTED
DECIMALS: .XX ± .010, XXX ± .005

BOURNS

BOURNS, INC., TRIMPOT PRODUCTS DIVISION
1200 COLUMBIA AVENUE, RIVERSIDE, CALIFORNIA 92507