



Model 3049
Rectilinear Potentiometer
Cermet Element

OBSOLETE

FEATURES

- Low cost linear position potentiometer.
- 1/2" mechanical travel .490 ±.015" electrical travel.
- ±2.5% independent linearity.
- Excellent backlash: .002" maximum.
- Low temperature coefficient: 100 ppm/°C over entire temperature range.
- Meets or exceeds environmental requirements of MIL-R-22097.
- 1W power rating at 70°C.



3049L



3049J

CLOSEST EQUIVALENT: 3048L-5-RC
WHERE RC = RESISTANCE CODE.

STANDARD RESISTANCES

RESISTANCE (OHMS)	PART NUMBERS*	
100	3049L-1-101	3049J-1-101
1,000	3049L-1-102	3049J-1-102
10,000	3049L-1-103	3049J-1-103
50,000	3049L-1-503	3049J-1-503

SPECIAL RESISTANCES AVAILABLE FROM 10 OHMS TO 2 MEGOHMS.

RESISTANCE (OHMS)	PART NUMBERS*	
100,000	3049L-1-104	3049J-1-104
500,000	3049L-1-504	3049J-1-504
1,000,000	3049L-1-105	3049J-1-105

*The last three digits of the part number represent the resistance in standard code.

Model 3049 TRIMPOT® Potentiometer

SPECIFICATIONS

ELECTRICAL CHARACTERISTICS

Standard Resistance Range (see chart on front)	100 ohms to 1 megohm
Resistance Tolerance*	10% Standard, closer tolerances available
Electrical Travel	.490" ± .015
End Voltage	1% maximum
Independent Linearity*	±2.5% maximum
Continuity	Throughout the mechanical travel
Insulation Resistance	100 megohms minimum

ENVIRONMENTAL CHARACTERISTICS

Power Ratings:	
70°C Ambient	1 watt
175°C Ambient	0 watt
Load Life	1000 hours per MIL-R-22097
Operating Temperature Range	-65 to +175°C
Temperature Coefficient per MIL-R-22097	Maximum 100 ppm/°C
Dielectric Strength	1000 volts AC per MIL-R-22097
Mechanical Life*	20,000 cycles without discontinuity

Vibration	Exceeds MIL-R-22097, 20G
Shock	Exceeds MIL-R-22097, 50G
Humidity, MIL-STD-202, Method 106	10 megohms minimum insulation resistance after removal from chamber

PHYSICAL CHARACTERISTICS

Appearance	Legible markings, no physical defects
Markings	Manufacturer's name, wiring diagram, date code, resistance, and manufacturer's part number (customer's part number optional)

Actuation Force*	100 grams maximum
Backlash	.002" maximum each end
Mechanical Overtravel	.01" minimum

Terminals

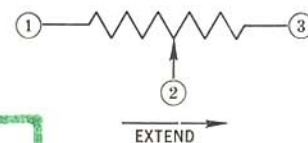
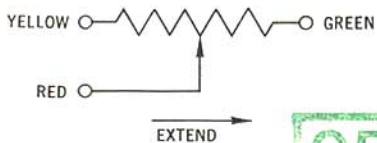
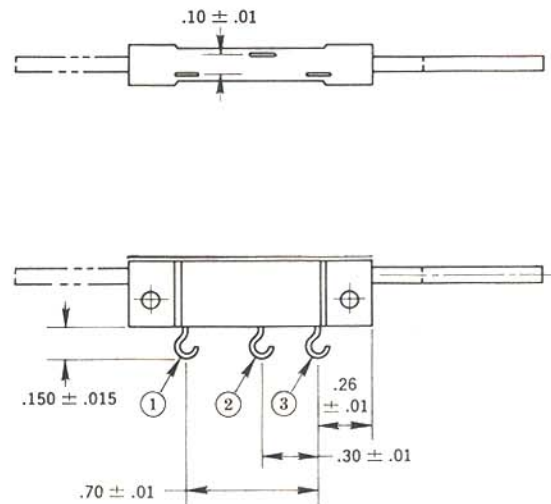
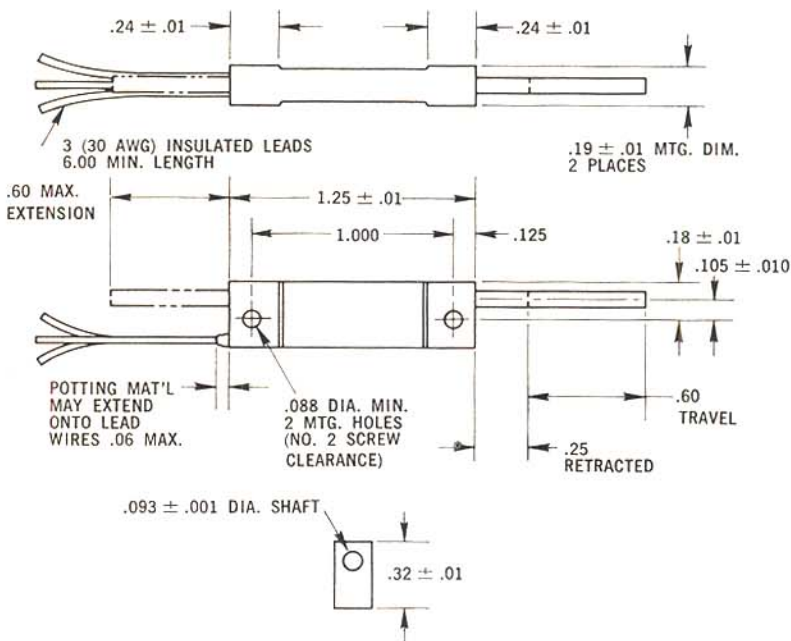
- J Gold plated Grade A nickel .028" diameter pins formed in a "J" hook pattern
- L Teflon insulated stranded leads, 30 AWG (.024 O.D.) 7 strands/38 AWG

*Specification Note: Special performance requirements can be supplied upon request.

Specifications are subject to change without notice.

3049L

3049J



OBSOLETE

