



TRIMPOT® Potentiometer
 Model 3000
 High Temperature, Humidity-Proof
 Wirewound Element

OBSOLETE

FEATURES

- Small size ($\frac{3}{4}$ " x $\frac{5}{32}$ " x $\frac{5}{16}$ ").
- High power dissipation 0.5 watt at 70°C.
- Maximum temperature coefficient 50 ppm/°C.
- High temperature all-plastic case for operation to 175°C. Unaffected by normal flux, solvents, or cleaning compounds.
- Bourns exclusive SILVERWELD® termination eliminates vulnerable single wire termination.
- Wiper assembly idles at both ends of travel to prevent damage from forced adjustments.
- Conforms to MIL-R-27208 humidity, shock, vibration, etc.
- Each instrument individually inspected for guaranteed electrical and physical characteristics.

Actual Size



3000 P

STANDARD RESISTANCES

Resistance (ohms)	Part Number*	
	3000P Printed Circuit Pins	
50	3000P-1-500	1.38
100	3000P-1-101	1.11
200	3000P-1-201	1.18
500	3000P-1-501	0.88
1,000	3000P-1-102	0.71

SPECIAL RESISTANCES AVAILABLE FROM 50 TO 20,000 OHMS

Resistance (ohms)	Part Number*	
	3000P Printed Circuit Pins	
2,000	3000P-1-202	0.58
5,000	3000P-1-502	0.46
10,000	3000P-1-103	0.38
20,000	3000P-1-203	0.32

*The last three digits of the part number represent the resistance in standard code.

Model 3000 TRIMPOT® Potentiometer

SPECIFICATIONS

ELECTRICAL CHARACTERISTICS

Standard Resistance Range (See chart on front)	50 to 20,000 ohms
Resistance Tolerance*	±10% standard, closer tolerances available
Absolute Minimum Resistance*	0.1% or 1.0Ω, whichever is greater
Continuity*	Maintained for full mechanical range
Noise During Adjustment*	100 ohms ENR maximum
Insulation Resistance, 500 volts DC*	1,000 megohms minimum
Resolution (See chart on front)	0.32 to 1.38%

ENVIRONMENTAL CHARACTERISTICS

Power Ratings:	
70°C Ambient	0.5 watt
125°C Ambient	0.25 watt
175°C Ambient	0 watt
Operating Temperature Range	-65° to 175°C
Temperature Coefficient (per MIL-R-27208)	50 ppm/°C maximum
Moisture Resistance MIL-R-27208	100 megohms minimum insulation resistance after removal from chamber
Vibration	
Contact Bounce	Exceeds MIL-R-27208, 30Gs
Wiper Shift, Maximum	0.1 millisecond maximum
	1.0% or resolution
Shock	
Contact Bounce and Wiper Shift	Exceeds MIL-R-27208, 100Gs
	Same as vibration
Sand and Dust	Meets MIL-E-5272, Procedure 1

Salt Spray	Materials meet MIL-R-27208
Fungus	Materials meet MIL-E-5272
Load Life	1,000 hours per MIL-R-27208
Resistance Shift, Maximum	2.0%
Mechanical Life	200 cycles without discontinuity
Dielectric Strength	
Room Conditions	MIL-R-27208
80,000 Feet (0.8" Hg)	1,500 volts AC
	500 volts AC

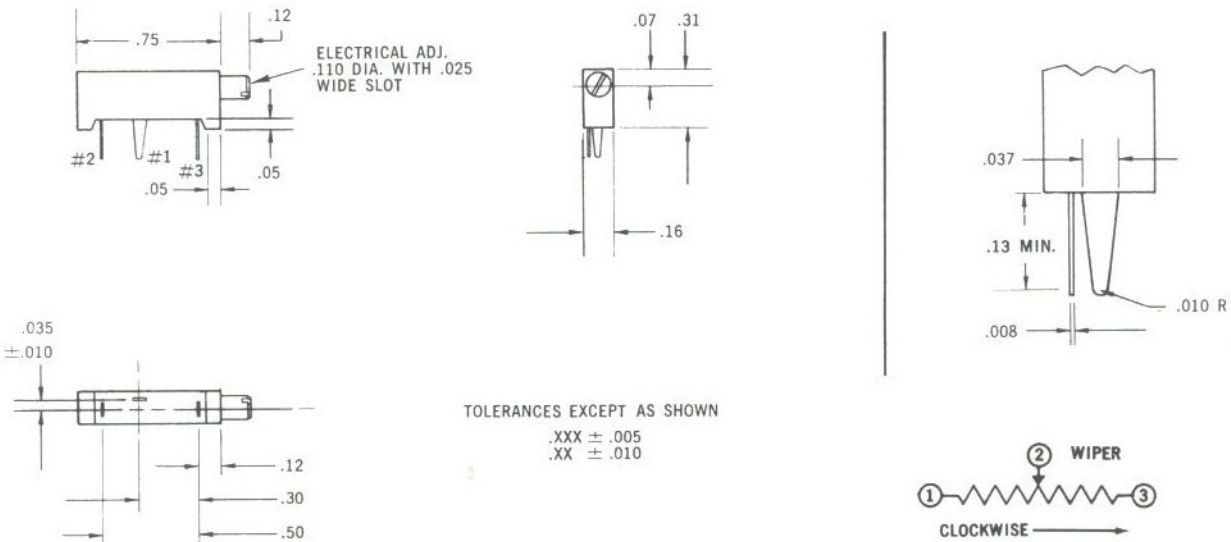
PHYSICAL CHARACTERISTICS

Immersion Leak Test*	No leaks
Shaft Torque*	5.0 oz.-in. maximum
Markings*	Manufacturer's name, wiring diagram, date code, resistance and manufacturer's part number (customer's part number optional)
Appearance*	Legible markings, no physical defects
Mechanical Adjustment	15 turns nominal
Mechanical Stops*	Wiper assembly idles
Weight	Approximately 0.06 oz.
Terminals	Gold plated printed circuit pins

*Inspection Note: Applicable 100% or statistical sampling inspection performed to insure foremost quality.

Specification Note: Closer performance tolerances can be supplied upon request. Specifications are subject to change without notice.

3000



OBSOLETE

