

*RoHS COMPLIANT



BOURNS®

Features

- 25 mm travel
- Carbon resistive element
- Solder lug or PC pin terminal options
- Low operating force
- Non-standard options available upon request



This model is $\sqrt{M/R}$ Unot recommended for new designs.

1072 - Slide Potentiometer

Characteristics

Stroke Length.....25 mm
 Standard Resistance Range100 ohms to 4.7 megohms
 Resistance Taper.....Linear
 Power Rating0.20 W
 Operating Force0.2 to 0.5 N
 End Stop Force.....50 N max.
 Temperature Range.....-10 °C to +70 °C
 Slide Life10,000 cycles

Standard Resistance Table

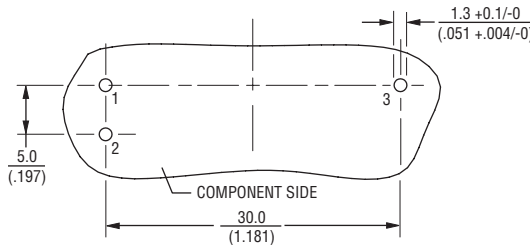
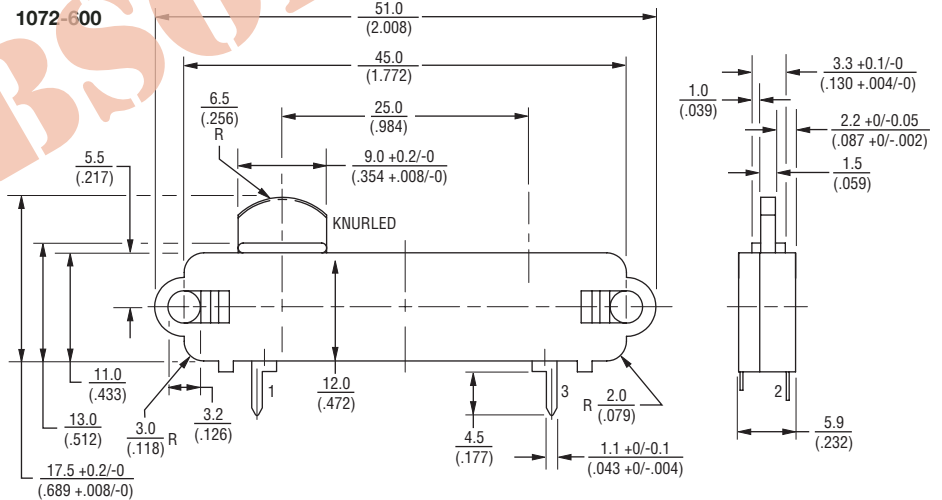
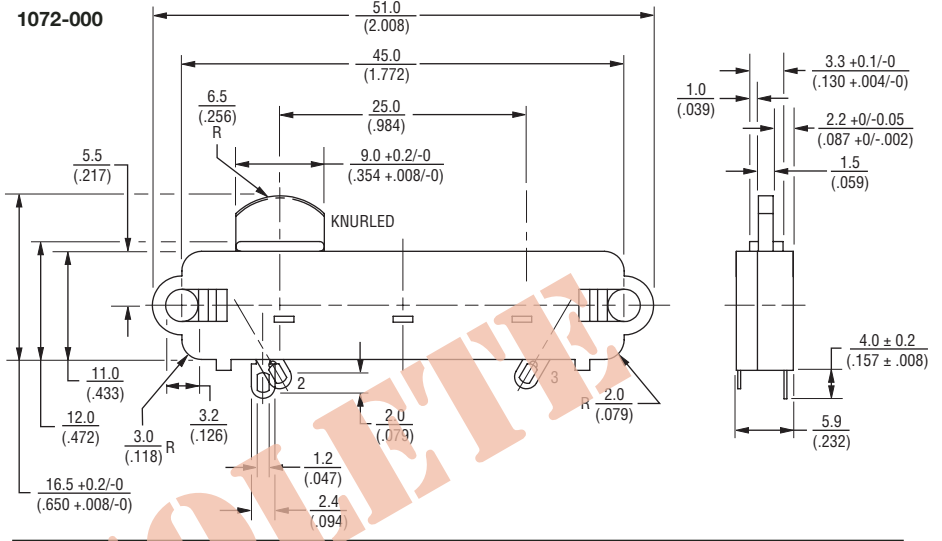
Resistance (Ohms)	Resistance Code
100	101
220	221
470	471
1,000	102
2,200	222
4,700	472
10,000	103
22,000	223
47,000	473
100,000	104
220,000	224
470,000	474
1,000,000	105
2,200,000	225
4,700,000	475

How to Order

1072 - 000 - A B 223

- Model Type _____
 • 1072
- Terminal & Lever Style _____
 • 000
 • 600
 Other styles available on request.
- Independent Linearity _____
 A = ±5 %
 Other versions available upon request.
- Element Taper _____
 B = Linear Carbon ±20 %
 E = Linear Carbon ±10 %
 M = Linear Carbon ±30 %
 L = Linear Carbon ±5 %
- Resistance Code _____
 Other versions available upon request.

Product Dimensions



DIMENSIONS ARE: $\frac{MM}{(INCHES)}$