

*RoHS COMPLIANT



BOURNS®

Features

- Adjustable from both sides
- Slot size 2.2 x 0.8 mm
- Available with insulated shaft
- Additional models and versions available
- Carbon resistive element



This model is Sd M\&R_Unot recommended for new designs.

0042 - Trimming Potentiometer

Characteristics

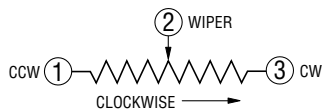
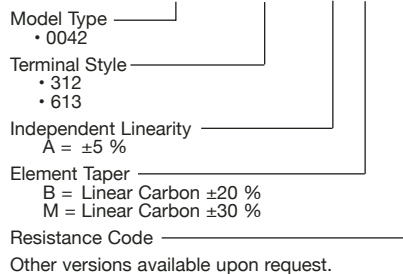
Mechanical Angle..... $220^\circ \pm 10^\circ$
 Starting Torque.....0.3~1.0 Ncm
 Resistance Range
100 ohms to 1 megohm
 Resistance Taper.....Linear
 Power Rating.....0.1 W
 Temperature Range..... -25°C to $+70^\circ\text{C}$
 Rotational Life.....100 cycles min.

Standard Resistance Table

Resistance (Ohms)	Resistance Code
100	101
220	221
470	471
1,000	102
2,200	222
4,700	472
10,000	103
22,000	223
47,000	473
100,000	104
220,000	224
470,000	474
1,000,000	105
2,200,000	225
4,700,000	475

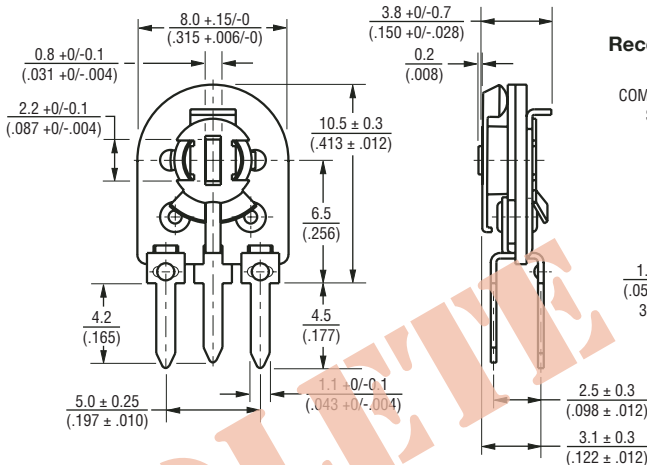
How to Order

0042 - 312 - A B 104

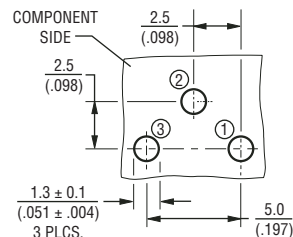


Product Dimensions

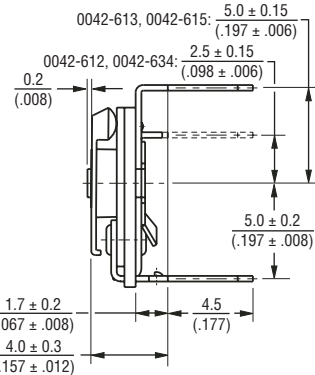
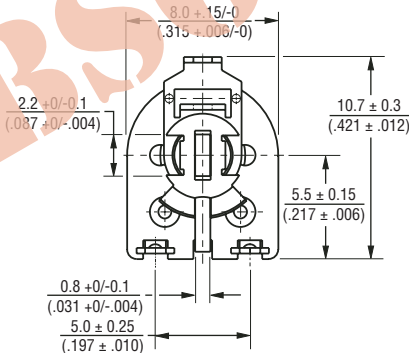
0042-312



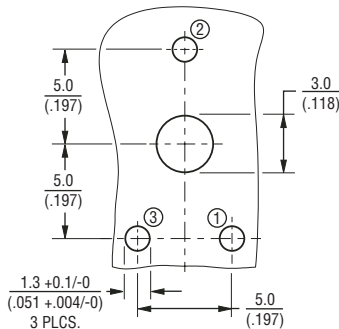
Recommended PCB Layout



0042-613



Recommended PCB Layout



DIMENSIONS ARE: $\frac{\text{MM}}{\text{(INCHES)}}$