



Featured Products Bulletin

INDUCTIVE COMPONENTS

Last Time Buy - JW Miller® Models PM63S and PM105S

Riverside, California - July 1, 2008 - JW Miller® Models PM63S and PM105S were discontinued by JW Miller before they were acquired by Bourns in April 2006. We have been supplying small quantity, infrequent orders for these models as a courtesy. We shall no longer be accepting orders for these models as of August 1, 2008.

Model PM63S had no JW Miller® replacement. The nearest equivalent is the Bourns® Model SRR4028, which is electrically equivalent, but not physically identical.

JW Miller recommended Model PM105SB as the replacement for Model PM105S. Model PM105SB is still offered by Bourns as a standard product.

The data sheets for Models PM63S and PM105S are available for reference on pages 2 and 3 of this announcement. Data sheets for Models SRR4028 and PM105SB are available on Bourns website. They may also be accessed directly from the links below.

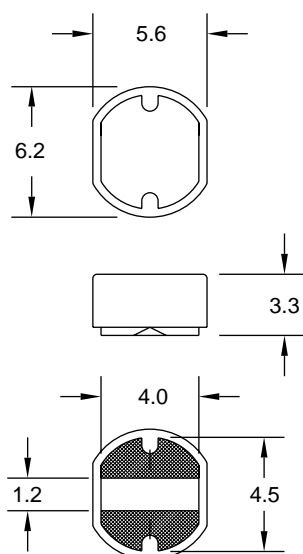
[SRR4028 data sheet on website](#)

[PM105SB data sheet on website](#)

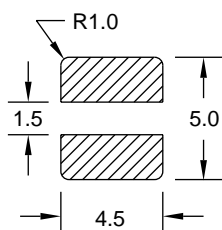
Shielded, SMT Power Inductors

Special Features

- Magnetic shielded for low radiation
- Ferrite bobbin core
- Low core loss for high frequency power application
- Compact size
- Large terminal surface for good PCB bonding
- Operating temperature -30 to +100°C
- Current to cause maximum 10% of inductance drop, or 40°C temperature rise
- Tape & reel packaged 1000/reel



Tol: ± 0.3
Dim: mm



Pad Layout

PM63S Series					
Part Number	L (uH) $\pm 20\%$	Test Freq.	SRF (MHz) Typ.	DCR (Ω) Max.	I, DC (A)
PM63S-100M	10	2.52 MHz	38	0.13	0.80
PM63S-120M	12	2.52 MHz	32	0.14	0.74
PM63S-150M	15	2.52 MHz	29	0.15	0.70
PM63S-180M	18	2.52 MHz	27	0.18	0.64
PM63S-220M	22	2.52 MHz	24	0.25	0.62
PM63S-270M	27	2.52 MHz	19	0.34	0.57
$\pm 15\%$					
PM63S-330L	33	2.52 MHz	17	0.37	0.52
PM63S-390L	39	2.52 MHz	17	0.39	0.45
PM63S-470L	47	2.52 MHz	16	0.43	0.40
PM63S-560L	56	2.52 MHz	14	0.50	0.37
PM63S-680L	68	2.52 MHz	13	0.53	0.35
PM63S-820L	82	2.52 MHz	12	0.75	0.32
$\pm 10\%$					
PM63S-101K	100	1 KHz	11	0.85	0.30

J.W. Miller
MAGNETICS

306 E. Alondra Blvd., Gardena, CA 90247-1059 • (310) 515-1720 • FAX (310) 515-1962

www.jwmiller.com

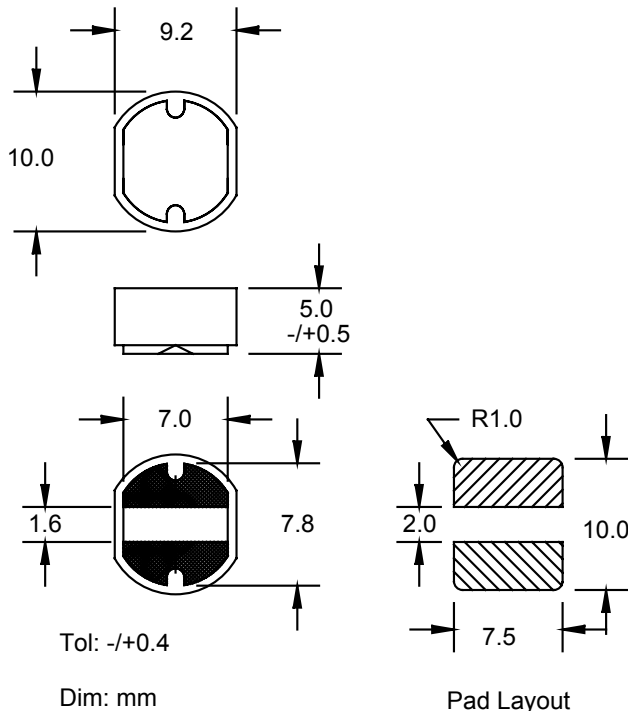
Shielded, SMT Power Inductors

PM105S Series

Part Number	L (μH) ± 20%	Test Freq.	SRF (MHz) Typ.	DCR (Ω) Max.	I, DC (A)
PM105S-100M	10	2.52 MHz	31	0.06	2.52
PM105S-120M	12	2.52 MHz	27	0.06	2.31
PM105S-150M	15	2.52 MHz	27	0.07	2.06
PM105S-180M	18	2.52 MHz	26	0.08	1.89
PM105S-220M	22	2.52 MHz	21	0.09	1.71
PM105S-270M	27	2.52 MHz	18	0.11	1.54
PM105S-330M	33	2.52 MHz	16	0.12	1.39
PM105S-390M	39	2.52 MHz	15	0.16	1.28
PM105S-470M	47	2.52 MHz	14	0.18	1.17
PM105S-560M	56	2.52 MHz	12	0.19	1.07
PM105S-680M	68	2.52 MHz	11	0.22	0.97
PM105S-820M	82	2.52 MHz	10	0.28	0.88
PM105S-101M	100	1 KHz	7	0.35	0.80
PM105S-121M	120	1 KHz	7	0.38	0.73
PM105S-151M	150	1 KHz	6	0.45	0.65
PM105S-181M	180	1 KHz	5	0.62	0.60
PM105S-221M	220	1 KHz	5	0.69	0.54
PM105S-271M	270	1 KHz	5	0.78	0.49
PM105S-331M	330	1 KHz	4	1.03	0.44
PM105S-391M	390	1 KHz	4	1.18	0.41
PM105S-471M	470	1 KHz	4	1.60	0.37

Special Features:

- High current capacity
- Magnetic shielded for low radiation
- Ferrite bobbin core
- Low core loss for high frequency power application
- Compact size
- Large terminal surface for good PCB bonding
- Operating temperature -30 to +100°C
- Current to cause maximum 10% of inductance dropped, or 40°C temperature rise
- Tape & reel packaged 500/reel



The PM105S Series is Not Recommended for New Designs, it is Superseded by the PM105SB Series

J.W. Miller

MAGNETICS

306 E. Alondra Blvd., Gardena, CA 90247-1059 • (310) 515-1720 • FAX (310) 515-1962

www.jwmiller.com