

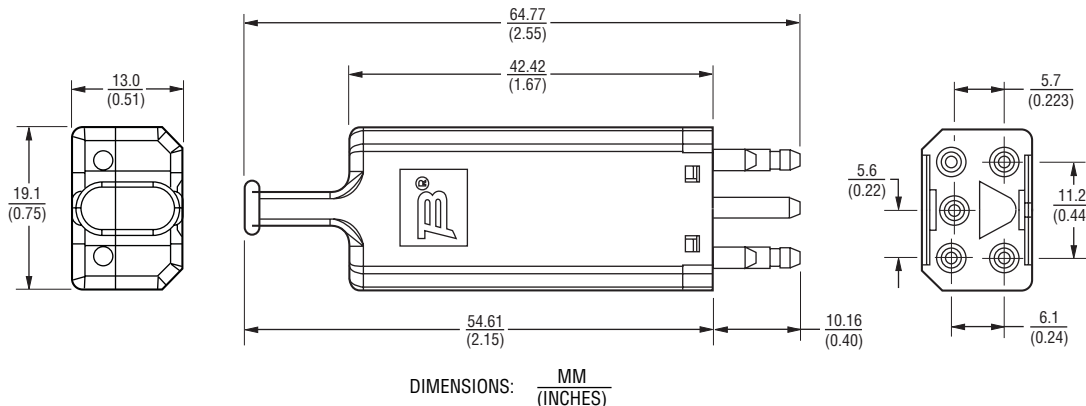
Featured Products Bulletin

OUTSIDE PLANT PRODUCTS

Bourns® OSP Products Group Updates Product Offering of 5-Pin 2410 Surge Protectors




Riverside, California - May 11, 2011 - Bourns® OSP Products Group is pleased to announce that we have updated our product offering of the 5-pin 2410 Multi-Stage Protectors. [2410-4x models](#) are available with a special long housing. These models have the same circuitry and performance as our existing 2410-3x models.



The updated models are now available through authorized Bourns OSP distributors.

Please contact [Bourns Customer Service](#) if further information is required.

Features

- Multi-stage protection
- Balanced TRIGARD® device
- Switch-Grade Fail-Short device
- Quick response and high energy handling
- Ideal for high-speed networks in high exposure environments
-  LISTED per UL 497 (File: 53117)
- Meets test requirements of Telcordia GR 974, GR 1361, SBC SR 5165 and RUS PE-80
- Telcordia Analysis report DA-1547

- Solid brass, gold-plated pins
- Test point access option
- Sealed option for harsh environments

Applications

- High-speed data circuits
- POTS
- Copper pair circuits