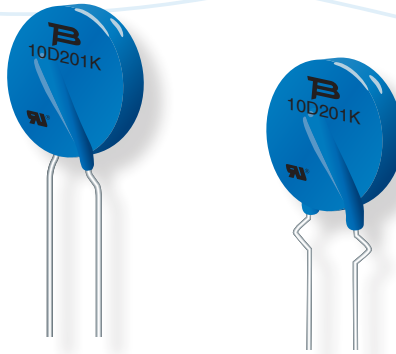




# PRODUCT EXTENSION RELEASE

## METAL OXIDE VARISTORS

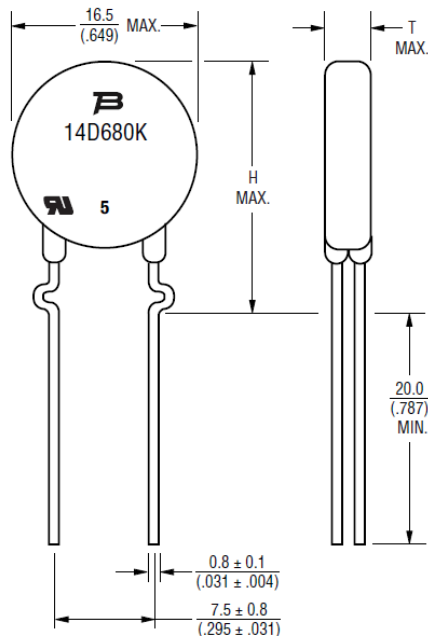


### Bourns Announces Kinked Lead Style Option for Select Metal Oxide Varistors

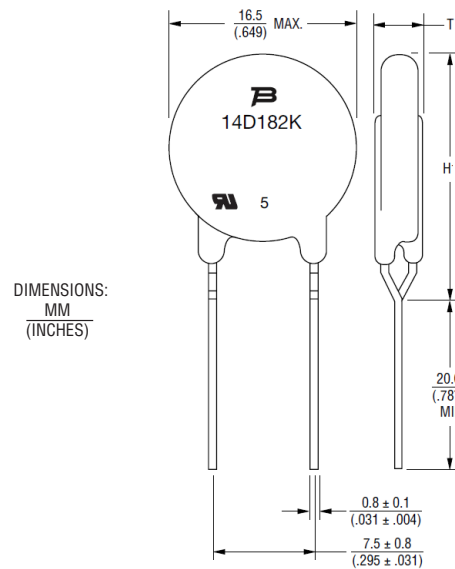
#### *Model MOV-07D, MOV-10D, MOV-14D and MOV-20D Series*

Riverside, California – **November 30, 2023** – Effective immediately, Bourns is offering kinked leads as a new lead style option for select Bourns® Metal Oxide Varistors. The following images depict the two types of kinked lead configurations being offered for the Model [MOV-07D](#), [MOV-10D](#), [MOV-14D](#) and [MOV-20D](#) Series.

***Kinked Leads (Outward)***



***Kinked Leads (In-line)***



DIMENSIONS:  
MM  
(INCHES)

A table providing part numbers for the two types of kinked lead configurations follows.

KV2302

MOV-07D	
Kinked Leads (Outward)	Kinked Leads (In-line)
MOV-07D180KK	N/A
MOV-07D220KK	N/A
MOV-07D270KK	N/A
MOV-07D330KK	N/A
MOV-07D390KK	N/A
MOV-07D470KK	N/A
MOV-07D560KK	N/A
MOV-07D680KK	N/A
MOV-07D820KK	N/A
MOV-07D101KK	N/A
MOV-07D121KK	N/A
MOV-07D151KK	N/A
MOV-07D181KK	N/A
MOV-07D201KK	N/A
MOV-07D221KK	N/A
MOV-07D241KK	N/A
MOV-07D271KK	N/A
MOV-07D301KK	N/A
MOV-07D331KK	N/A
MOV-07D361KK	N/A
MOV-07D391KK	N/A
MOV-07D431KK	N/A
MOV-07D471KK	N/A
MOV-07D511KK	N/A
MOV-07D561KK	N/A
N/A	MOV-07D621KK
N/A	MOV-07D681KK
N/A	MOV-07D751KK
N/A	MOV-07D781KK
N/A	MOV-07D821KK

MOV-10D	
Kinked Leads (Outward)	Kinked Leads (In-line)
MOV-10D180KK	N/A
MOV-10D220KK	N/A
MOV-10D270KK	N/A
MOV-10D330KK	N/A
MOV-10D390KK	N/A
MOV-10D470KK	N/A
MOV-10D560KK	N/A
MOV-10D680KK	N/A
MOV-10D820KK	N/A
MOV-10D101KK	N/A
MOV-10D121KK	N/A
MOV-10D151KK	N/A
MOV-10D181KK	N/A
MOV-10D201KK	N/A
MOV-10D221KK	N/A
MOV-10D241KK	N/A
MOV-10D271KK	N/A
MOV-10D301KK	N/A
MOV-10D331KK	N/A
MOV-10D361KK	N/A
MOV-10D391KK	N/A
MOV-10D431KK	N/A
MOV-10D471KK	N/A
MOV-10D511KK	N/A
MOV-10D561KK	N/A
MOV-10D621KK	N/A
MOV-10D681KK	N/A
MOV-10D751KK	N/A
MOV-10D781KK	N/A
N/A	MOV-10D821KK

MOV-14D	
Kinked Leads (Outward)	Kinked Leads (In-line)
MOV-14D180KK	N/A
MOV-14D220KK	N/A
MOV-14D270KK	N/A
MOV-14D330KK	N/A
MOV-14D390KK	N/A
MOV-14D470KK	N/A
MOV-14D560KK	N/A
MOV-14D680KK	N/A
MOV-14D820KK	N/A
MOV-14D101KK	N/A
MOV-14D121KK	N/A
MOV-14D151KK	N/A
MOV-14D181KK	N/A
MOV-14D201KK	N/A
MOV-14D221KK	N/A
MOV-14D241KK	N/A
MOV-14D271KK	N/A
MOV-14D301KK	N/A
MOV-14D331KK	N/A
MOV-14D361KK	N/A
MOV-14D391KK	N/A
MOV-14D431KK	N/A
MOV-14D471KK	N/A
MOV-14D511KK	N/A
MOV-14D561KK	N/A
MOV-14D621KK	N/A
MOV-14D681KK	N/A
MOV-14D751KK	N/A
MOV-14D781KK	N/A
N/A	MOV-14D821KK
N/A	MOV-14D911KK
N/A	MOV-14D102KK
N/A	MOV-14D112KK
N/A	MOV-14D152KK
N/A	MOV-14D182KK


MOV-20D	
Kinked Leads (Outward)	Kinked Leads (In-line)
MOV-20D180KK	N/A
MOV-20D220KK	N/A
MOV-20D270KK	N/A
MOV-20D330KK	N/A
MOV-20D390KK	N/A
MOV-20D470KK	N/A
MOV-20D560KK	N/A
MOV-20D680KK	N/A
MOV-20D820KK	N/A
MOV-20D101KK	N/A
MOV-20D121KK	N/A
MOV-20D151KK	N/A
MOV-20D181KK	N/A
MOV-20D201KK	N/A
MOV-20D221KK	N/A
MOV-20D241KK	N/A
MOV-20D271KK	N/A
MOV-20D301KK	N/A
MOV-20D331KK	N/A
MOV-20D361KK	N/A
MOV-20D391KK	N/A
MOV-20D431KK	N/A
MOV-20D471KK	N/A
MOV-20D511KK	N/A
MOV-20D561KK	N/A
MOV-20D621KK	N/A
MOV-20D681KK	N/A
MOV-20D751KK	N/A
MOV-20D781KK	N/A
N/A	MOV-20D821KK
N/A	MOV-20D911KK
N/A	MOV-20D102KK
N/A	MOV-20D112KK
N/A	MOV-20D152KK
N/A	MOV-20D182KK

The form of the affected varistors will change due to the change in appearance of the new terminals. The fit of the affected varistors will change because of the change in the type of terminals. The function, quality and reliability of these varistors will remain the same; only the new lead style configurations are being added.

Samples of the affected Metal Oxide Varistors with the new kinked leads are available upon request.

If you have any questions or need additional information, please feel free to contact [Customer Service/ Inside Sales](#).

### Features

- High voltage and current rating
- Straight and kinked lead styles available
- Bidirectional
- Surge protection
- Fast response time
- RoHS compliant\*
- Agency listing: 

### Applications

- Power supplies
- Power systems
- Line voltage
- Telecom systems
- White goods / appliances

\* RoHS Directive 2015/863, Mar 31, 2015 and Annex.